

# ***CENTAUR***



## **CENTAUR PARTS MANUAL**

**Petrol 34 HP  
Diesel 34 HP**  
From Serial # ...12375

# Foreword

**ODG** has prepared this parts manual for the **CENTAUR** model to assist both qualified mechanics and vehicle owners in ordering correct, quality replacement genuine **CENTAUR** parts. For the most current parts manual visit our website at [www.centaur8x8.ca](http://www.centaur8x8.ca) .

Proper and regular service, and replacing old, worn or broken parts with the correct genuine **CENTAUR** replacement parts, are both essential to prolonging the life of the **CENTAUR**. Please refer to this parts manual before ordering any replacement part.

All information contained in this **CENTAUR** Parts Manual is based on the latest product specification available at time of printing. If your **CENTAUR** differs from the specifications contained in this manual, check our website [www.centaur8x8.ca](http://www.centaur8x8.ca) for the most current information.

**ODG** reserves the right to alter specifications on the **CENTAUR** model at any time, without obligation or prior notification.

Reproduction of the **CENTAUR** Parts Manual, in whole or in part, is prohibited without prior written permission from Ontario Drive & Gear Limited.

Failure to use genuine **CENTAUR** parts may void your new vehicle warranty. Alterations or additions made to the vehicle without prior written permission from **ODG** may void your warranty.

Failure in observing these guidelines may cause personal and property damage. Please read the Operator's Manual before operating this equipment.

## Model Identification

**Centaur** - Petrol 34 HP  
Diesel 34 HP  
Serial No. ....12375 and up

## Explanation of Parts Manual Format

Ref. - Reference Number between Assembly Diagram and Component Parts List

Part No. - Centaur replacement Part Number for identification and re-ordering

Description - Part Description for identification and re-ordering

Qty - Indicates the quantity of a part used in an Assembly

# CENTAUR



## Using the Parts Manual

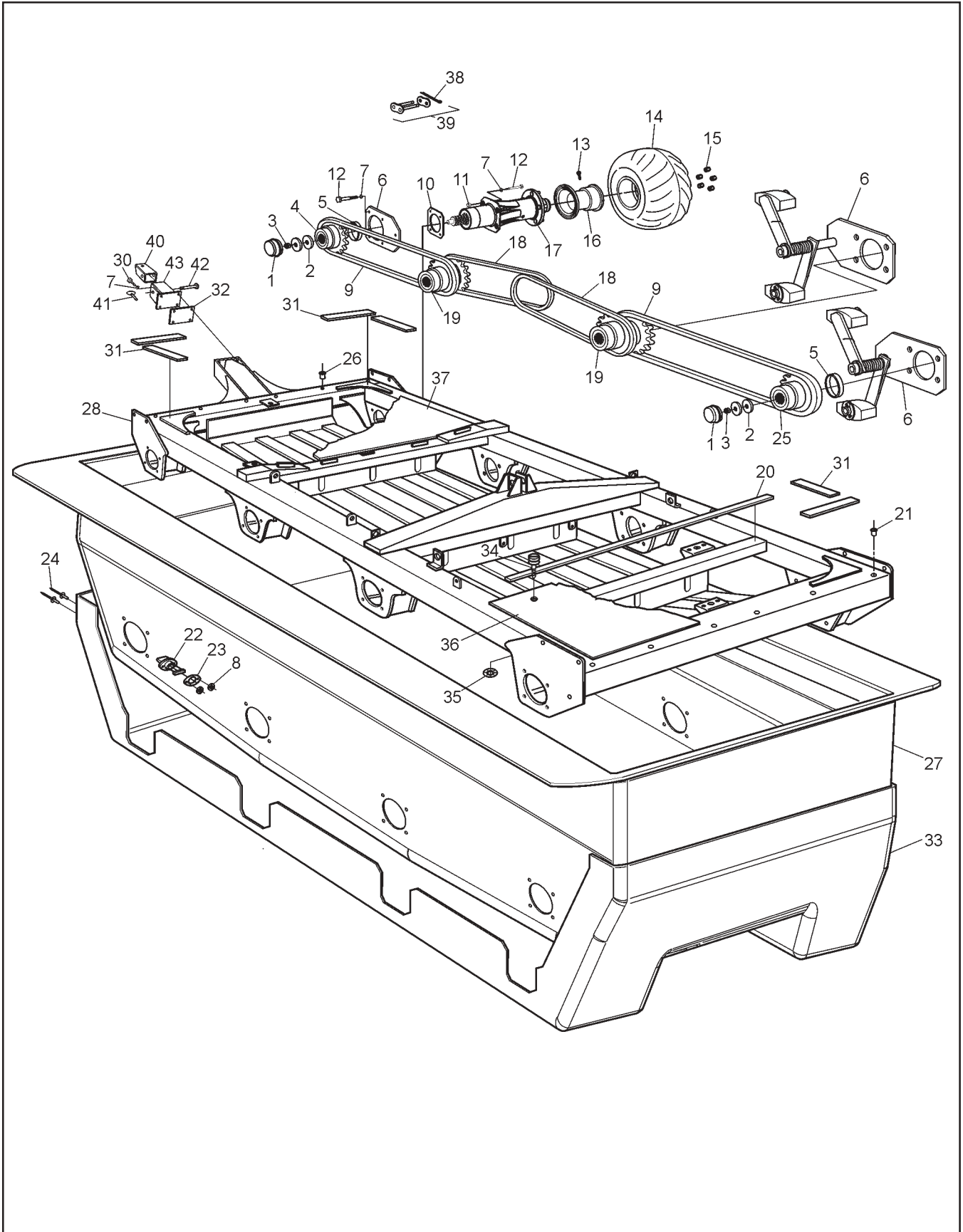
1. Find the major vehicle assembly in the Table of Contents on this page, and turn to that section.
2. Locate the part in the illustration that you wish to order.
3. Refer to the part list in that section.
4. Find the correct part number (Part No.), part description (Description) and correct quantity (Qty).
5. Use *only* this information to order genuine **CENTAUR** replacement parts. **DO NOT** attempt to order a replacement part by item number or page number.

## Table of Contents

Foreword .....	i
Model Identification .....	i
Using the Parts Manual .....	ii
1.0 Frame & Body .....	1
2.0 Chain Tensioners .....	3
3.0 Axle Assembly .....	5
4.0 Shift Box .....	6
5.0 Upper Frame .....	7
6.0 ROPS .....	9
7.0 Seat & Fuel Tank .....	11
8.1 Power Pack Engine 34G .....	13
8.2 Power Pack Engine 34DT .....	15
9.0 Power Pack Transmission .....	17
10.0 Clutch System .....	19
11.0 Brake System .....	21
12.0 Transmission .....	23
13.0 Steering .....	25
14.0 Electrical .....	27
15.0 Accessories .....	29

# 1.0 Frame and Body

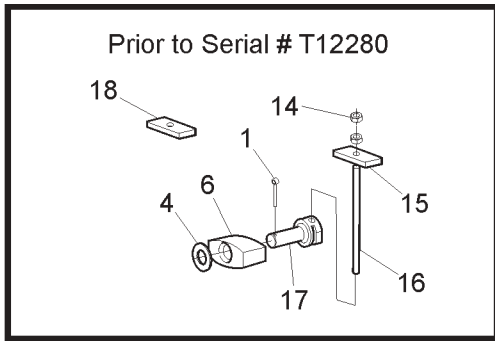
# Centaur Parts Manual



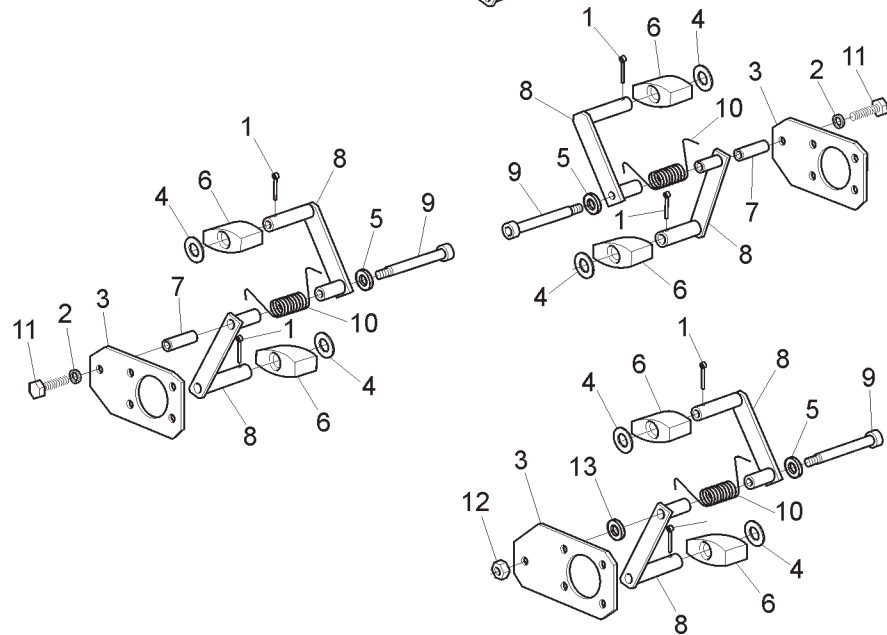
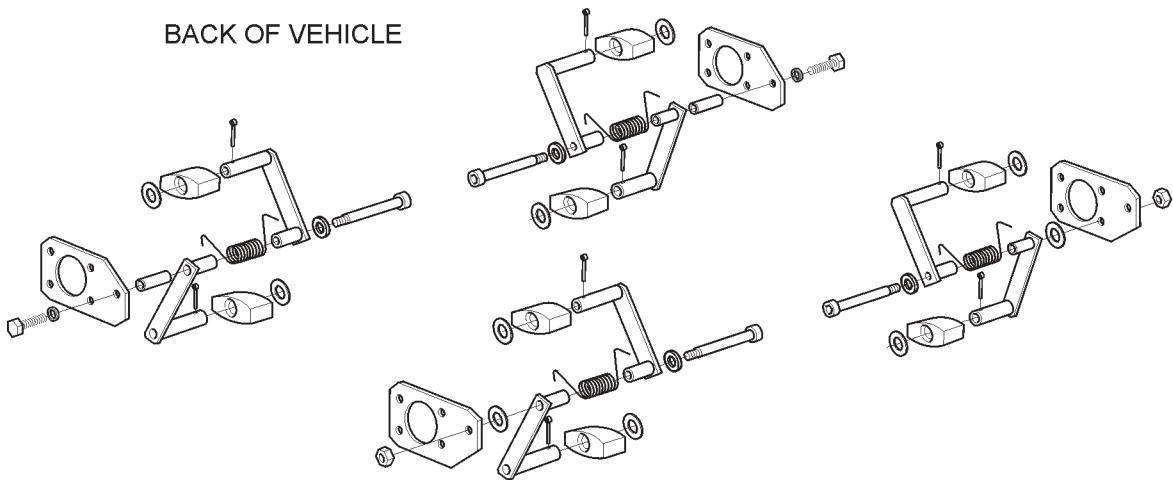
Ref.	Qty.	Part #	Description
1	8	805-120	Cap, Bearing Dust - 2.0 Plated
2	16	108-40	Washer .68 x 1.77 x .16 Zn
3	8	117-72	Locknut, Nylon - M16 x 1,5 Zn
4	2	805-126	Sprocket Asm, Rear -S80 x 18T
5	8	805-108	Bushing, 1.97 Od, 1.82 Id x .46
6			<b>See Section 2.0 Chain Tensioners</b>
7	68	108-67	Lockwasher M10 Split Ring Zn
8	2	120-04	Washer .19 x .50 x .08 Zn
9	4	805-128	Chain RC80-1 x 72P - Front/rear
10	8	805-121	Gasket, Flange
11	32	805-114	Bushing .75 x .58 x .25 Zn
12	64	112-133	HHCS M10 x 1,5 x 35mm Zn
13	8	125-26	Valve, Tire
14	8	127-100SA	Tire, Rawhide III 25 x 11.50-9
15	40	117-74	Nut, Wheel M12 x 1,25 Zn
16	8	127-61	Rim - 10 x 9 -Specify colour
17	8	805-133	Axle Asm, Centaur
18	4	805-129	Chain RC80-1 x 45P - Mid
19	4	805-125	Sprocket Asm, Mid - S80 x 2 x 18T
20		126-60	Vinyl Strip 1/2" x 1/4"
21	6	117-70	Insert, M10 x 1.5-13.5mm OD
22	2	100-107	Plug, Drain - Flanged
23	2	100-114	Gasket, Drain Plug
24	2	120-09	Rivet 3/16 x 1 - Black
25	2	805-124	Sprocket Asm, Front - S80 x 18T
26	9	117-69	Insert, M8 x 1.25-13.5mm OD
27	1	801-123	Body, Lower - Centaur
28	1	806-210	Frame Asm, Centaur
29		805-130	Link, Half - RC80-1
30	4	112-92	HHCS M10 x 1,5 x 40mm Zn
31	1	127-123	Rubber Strip, 1/4 x 1 x 9ft.
32	1	616-20	Gasket, Rear Hitch
33	1	801-123SKD	Skid Plate - Centaur
34	5	112-136	Screw, Fast Lead - Knurled
35	5	127-120	Retainer, Fast Lead Screw - Large
36	1	806-217	Floor Plate, Front - Flat
37	1	806-216	Floor Plate, Rear - Flat
38		100-116	Pin, Cotter - .09 x .63
39		805-131	Link, Con. RC80-1
40	1	616-19	Tube, Hitch
41	1	104-11	Pin, Lynch
42	1	104-13	Pin, Top Link
43	1	616-16	Hitch Draw Bar Assembly
45	8	112-93	HHCS M10 x 1,5 x 25mm

# 2.0 Chain Tensioners

# Centaur Parts Manual



BACK OF VEHICLE

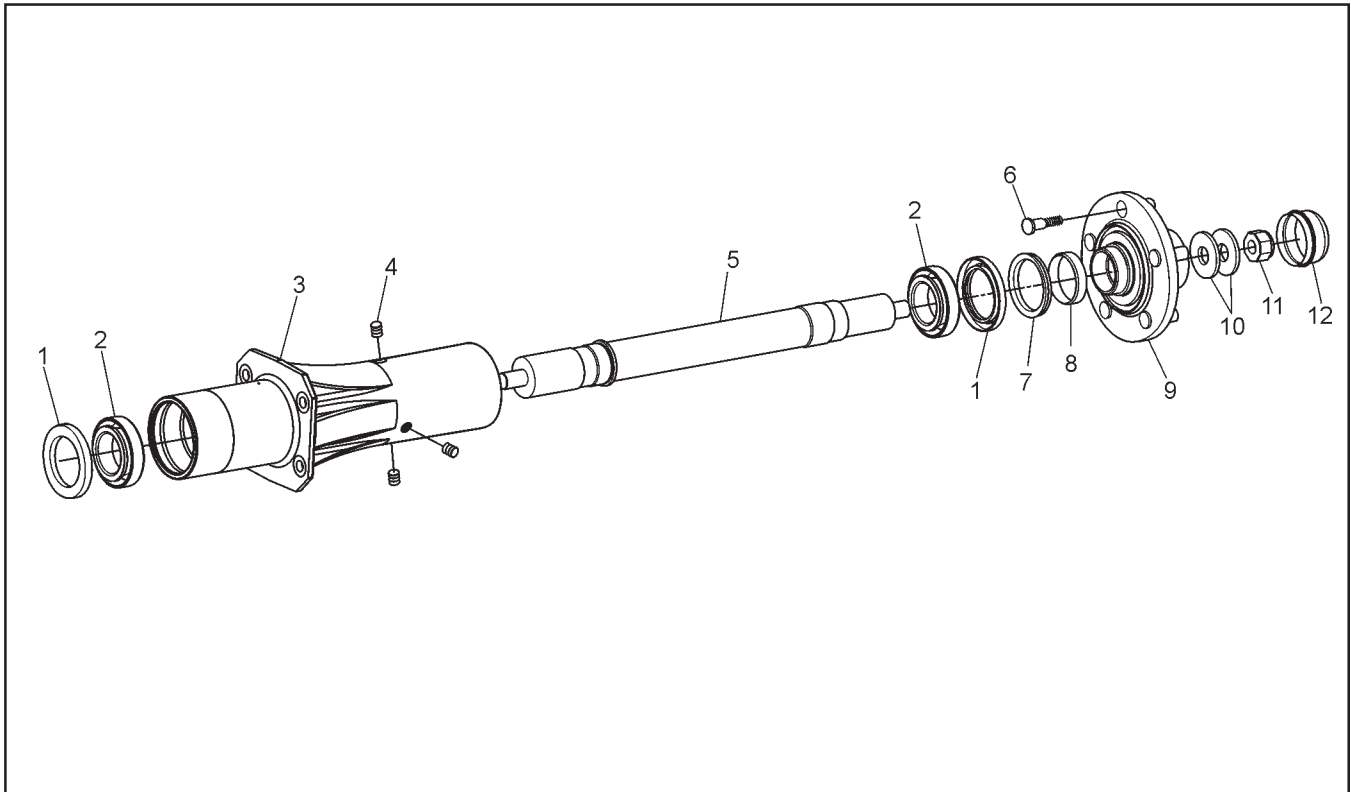


FRONT OF VEHICLE

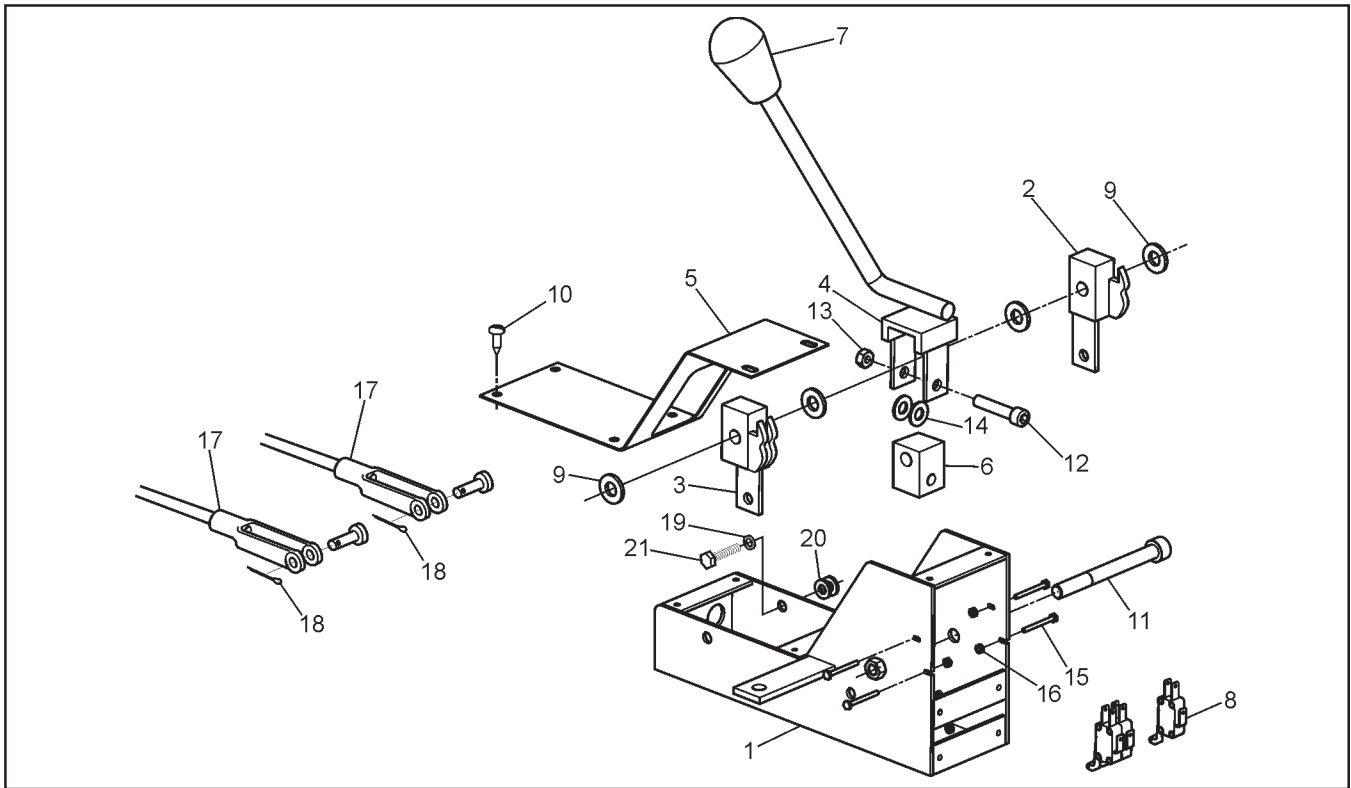
<b>Ref.</b>	<b>Qty.</b>	<b>Part #</b>	<b>Description</b>
1	16	100-105	Pin, Cotter 3/16 x 1.75" Zn
2	4	108-67	Lockwasher M10 Split Ring Zn
3	8	806-126	Flange
4	16	108-72	Washer, 0.938 x 1.75 x 0.125" Zn
5	8	108-34	Washer .47 x .94 x .06 Zn
6	8	606-40	Slider Block -7/8" Shaft
7	4	806-215	Spacer, Tapped
8	16	806-211	Pivot Arm Asm
9	8	112-158	Bolt, Shoulder, 12mm x 70mm Lg
10	8	128-16	Spring, Torsion - Cent. Chain
11	4	112-93	HHCS M10 x 1,5 x 25mm
12	4	117-60	Locknut, Nyloc M10 x 1.5mm Zn 8
13	4	108-15	Washer .42 x .81 x .05 Zn
14	8	117-62	Nut, Hex M10 x 1,5 Zn
15	2	806-187	Plate, Chain Tensioner
16	8	806-188	Rod, Tensioner
17	8	806-186	Spindle, Chain Adjuster
18	6	806-201	Plate, Chain Tensioner - 3.25"

### 3.0 Axle Assembly

### Centaur Parts Manual



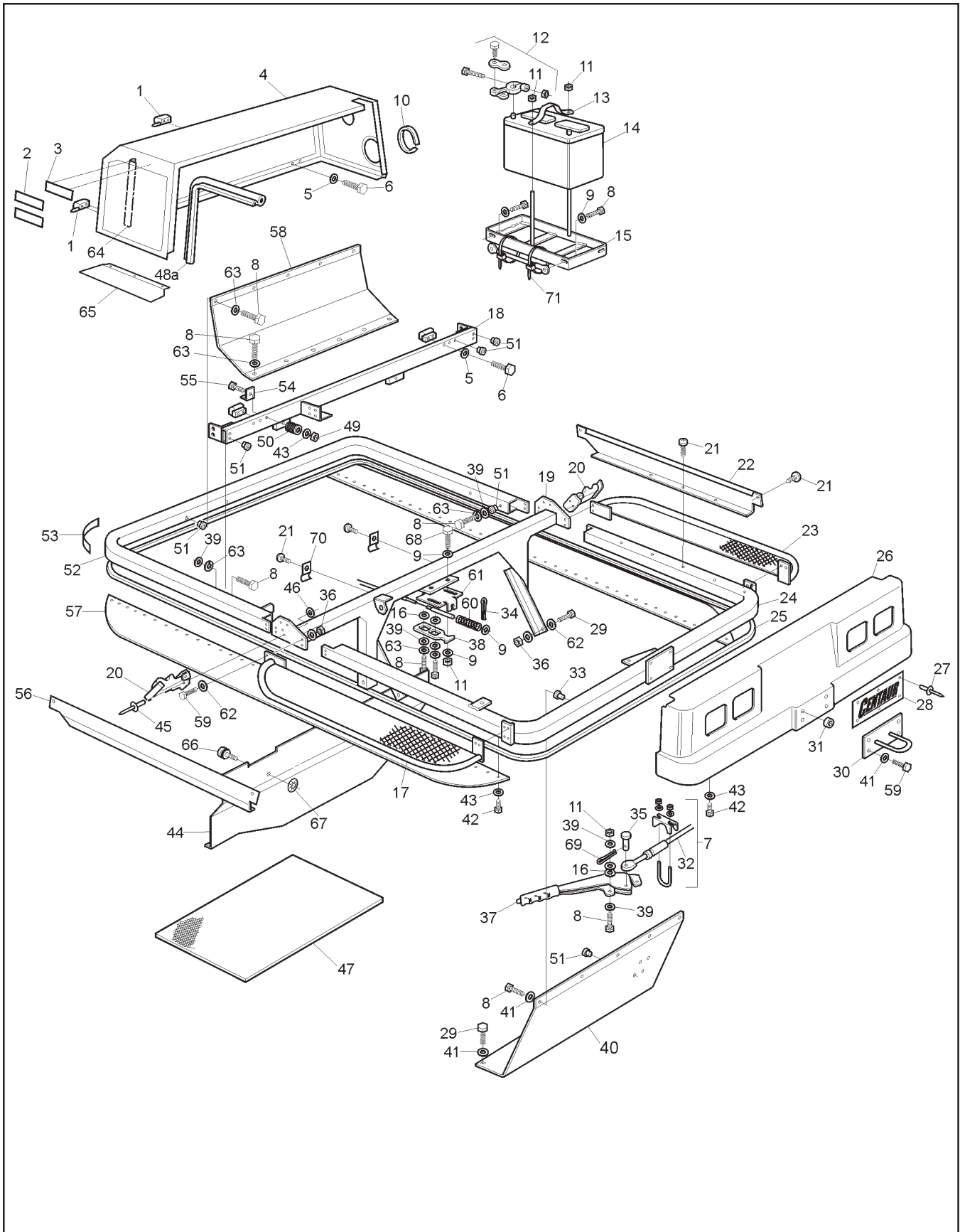
Ref.	Qty.	Part #	Description
1	2	102-27	Seal, Oil 50x72x8 Dbl Lip
2	2	101-76	Bearing, Tapered Roller 32008X
3	1	805-132	Housing Asm, Axle
4	3	127-85	Plug, Drain - M10 x 1,0
5	1	805-106	Axle -17T Spline
6	5	112-81	Stud, Wheel - M12 x 1,25R Zn
7	1	102-28	Seal, Oil V-ring 50mm
8	1	805-108	Bushing, 1.97 Od, 1.82 Id x .46
9	1	805-107	Hub, Wheel
10	2	108-40	Washer .68x1.77x.16 Zn
11	1	117-72	Locknut, Nylon - M16 x 1,5 Zn
12	1	805-120	Cap, Bearing Dust - 2.0 Plated



Ref.	Qty.	Part #	Description
1	1	809-199	Shift Box Assembly - Slotted
2	1	809-197	Shift Block Assembly - 1 Cam
3	1	809-198	Shift Block Assembly - 2 Cams
4	1	809-177	Shift Yoke Assembly
5	1	809-200	Gate, Shift
6	1	809-182	Knuckle - Shift Lever
7	1	126-38	Knob, Shift
8	3	809-202	Switch, Limit - Two Pole (if equipped)
9	4	108-69	Washer, Nylon .413 x .83 x .098"
10	6	112-102	Screw, Self-Drilling 12-14 x 3/4" Zn
11	1	112-123	Screw, Shoulder M10 x 80mm
12	1	112-129	Screw, Shoulder 5/16 x 1.5" Lg
13	1	117-27	Locknut, Nylon 1/4-20 Zn
14	2	108-70	Washer, Nylon .34 x .69 x .062"
15	4	112-126	HHCS, M3 x 0.50 x 30mm Zn
16	4	117-78	Locknut, Nylon - M3 x 0.5" Zn
17	2	809-186	Clevis, 5/16-24 THD
18	2	100-03	Pin, Cotter 3/32 x .750 Zn
19	2	108-05	Lockwasher, 5/16" Split Ring
20	4	108-47	Washer .39 x .94 x .13 Zn
21	2	112-20	HHCS M8 x 1,25 x 25mm Zn

# 5.0 Upper Frame

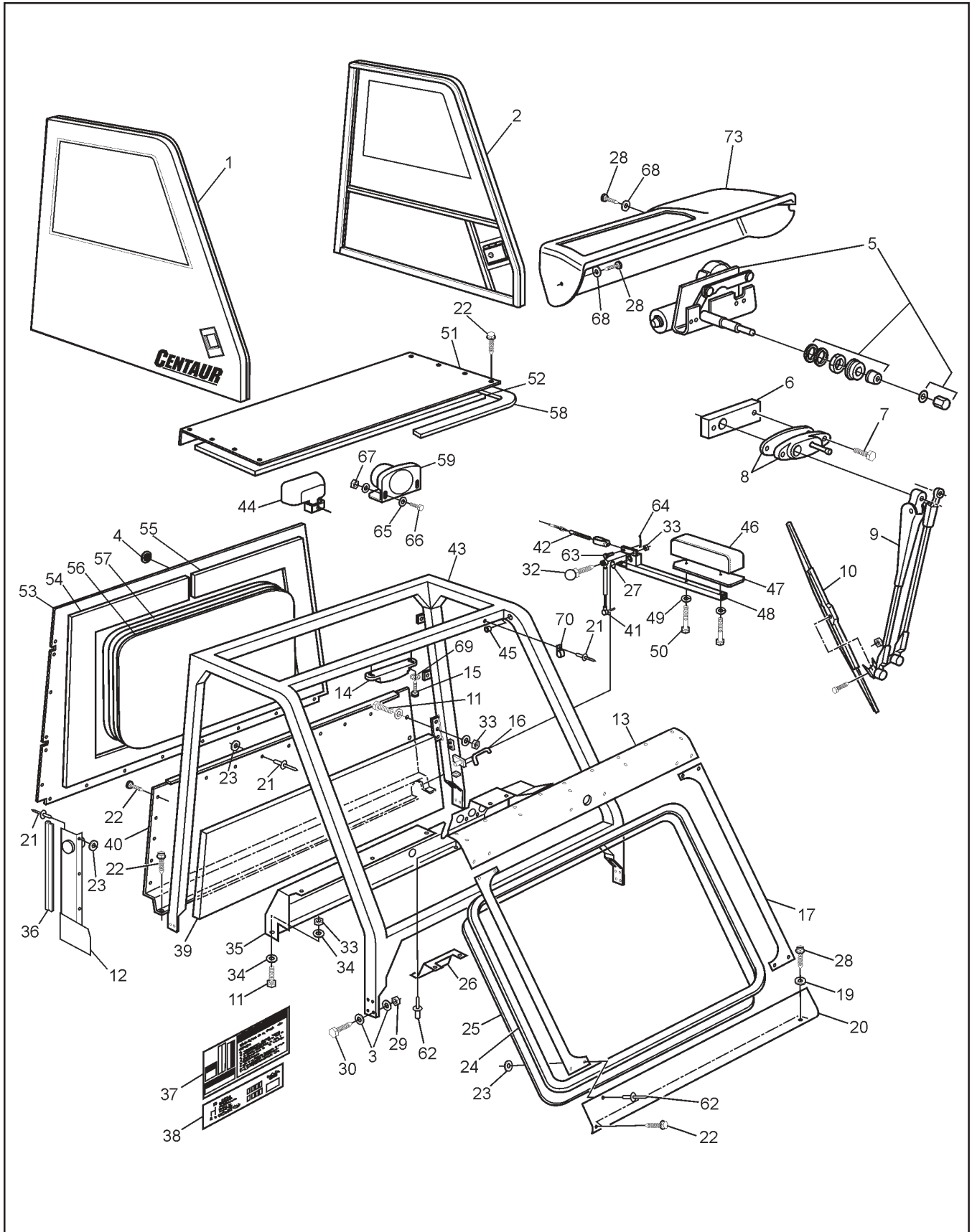
# Centaur Parts Manual



# Centaur Parts Manual

# 5.0 Upper Frame

Ref.	Qty.	Part #	Description	Ref.	Qty.	Part #	Description
1	2	127-88	Hinge, Engine Cover	41	15	108-67	Lockwasher M10 Split Ring Zn
2	2	801-121	Decal, Centaur 950 (Gas)				
3	2	801-143	Decal, Centaur 950DT (Turbo Diesel)	42	95	112-125	Screw, self drilling 12-14x1.5" Zn
4	1	801-113	Engine cover assembly	43	95	108-08	Washer .28x.62x.04 Zn
5	8	108-03	Lockwasher 1/4 Split Ring Zn	44	1	809-231	Cover, Transmission - Rear
6	8	112-98	HHCS M6x1x40mm Zn	45	6	120-09	Rivet - 3/16 x 1.0 Black
7	2	809-152	U-Bolt Ass'y	46	4	120-04	Washer, .19x.5x.08 Zn
8	16	112-20	HHCS M8x1,25x25mm Zn	47	1	801-139	Floormat
9	20	108-24	Washer .34x.70x.06 Zn	48a	to length	809-166RM	Seal, Radiator Baffle-Gas
10	1	801-142	Trim, Vinyl -15.5" Centaur	48b	to length	809-167RM	Seal, Radiator Baffle-DT
11	7	117-77	Locknut, Nylon M8x1,25 Zn	49	1	112-115	Locknut, Nylon M6x1 Zn
12	2	127-56	Terminal, Battery Post	50	1	100-10	Spring, Comp .53x.88
13	1	806-169	Bracket, Battery Retaining	51	26	117-69	Insert, M8x1.25-13.5mm OD
14	1	613-101	Battery, Exide 31 (Diesel)				
15	1	806-166	Bracket assembly	52	1	806-142	Upper Frame - Back Ass'y
16	8	108-47	Washer, .39x.94x.13 Zn	53	3 ft	613-82	Reflective Tape - Red/White 1" wide
17	1	801-159R	Step Ass'y - Right	54	1	809-109	Bracket, Cable
18	1	806-157	Support, Engine Cover	55	1	112-114	HHCS M6x1,0x60mm Zn
19	1	806-143	Upper Frame-Cross Brace assembly	56	1	801-106	Panel, Side-Splash Guard-R
20	2	127-87	Latch, Flexible Draw				
21	40	112-102	Screw, self drilling 12-14 x 3/4" Zn	57	2	801-124	Mud Flap, Centaur
22	1	801-112	Panel, Side-Splash Guard - L	58	1	806-155	Floor Plate, Rear - Bent
23	2	801-159L	Step Ass'y - Left	59	8	112-133	HHCS M10x1,5x35mm Zn-8.8
24	1	806-141	Upper Frame - Front Asm	60	1	127-48	Spring, Compression .54x1.9
25	1	126-60	Vinyl Strip 1/2"x1/4"x37.5'	61	1	809-205	Plate, Lock Pin Slide
26	1	801-107	Bumper, front	62	24	108-15	Washer .42x81x.05 Zn
27	6	120-24	Rivet, Alum - 3/32 x 3/8 Black	63	22	108-05	Lockwasher, 5/16" Split Ring
28	1	801-120	Nameplate, Centaur	64	1	809-221	Baffle, Rad Back
29	23	112-93	HHCS M10x1,5x25 Zn	65	1	809-194	Baffle, Engine Cover Top - Centaur
30	1	801-109	Tow hook	66	2	112-136	Screw, Fast Lead-Knurled
31	4	805-114	Bushing, .75 x .083 x .25	67	2	127-120	Retainer, Fast Lead Screw
32	1	809-151	Cable, Parking Brake	68	2	112-111	HHCS, M8x1,25x20(8.8)Zn
33	5	117-70	Insert, M10x1.5-13.5mm OD	69	1	100-03	Pin, Cotter
34	1	104-29	Pin, Cotter 1/16 x 3/4" Zn	70	2	127-92	Clip, Brake Line
35	1	104-27	Pin, Clevis 5/16 x .75" Zn	71	2	100-102	Tie Wrap, 14"
36	12	117-60	Locknut, Nyloc M10x1.5mm Zn				
37	1	809-147	Lever, Parking Brake				
38	1	809-122	Bracket, Steering -Spring Ret				
39	10	108-12	Washer, .34x1.00x.06 Zn				
40	1	806-153	Floor Plate, Front - Bent				



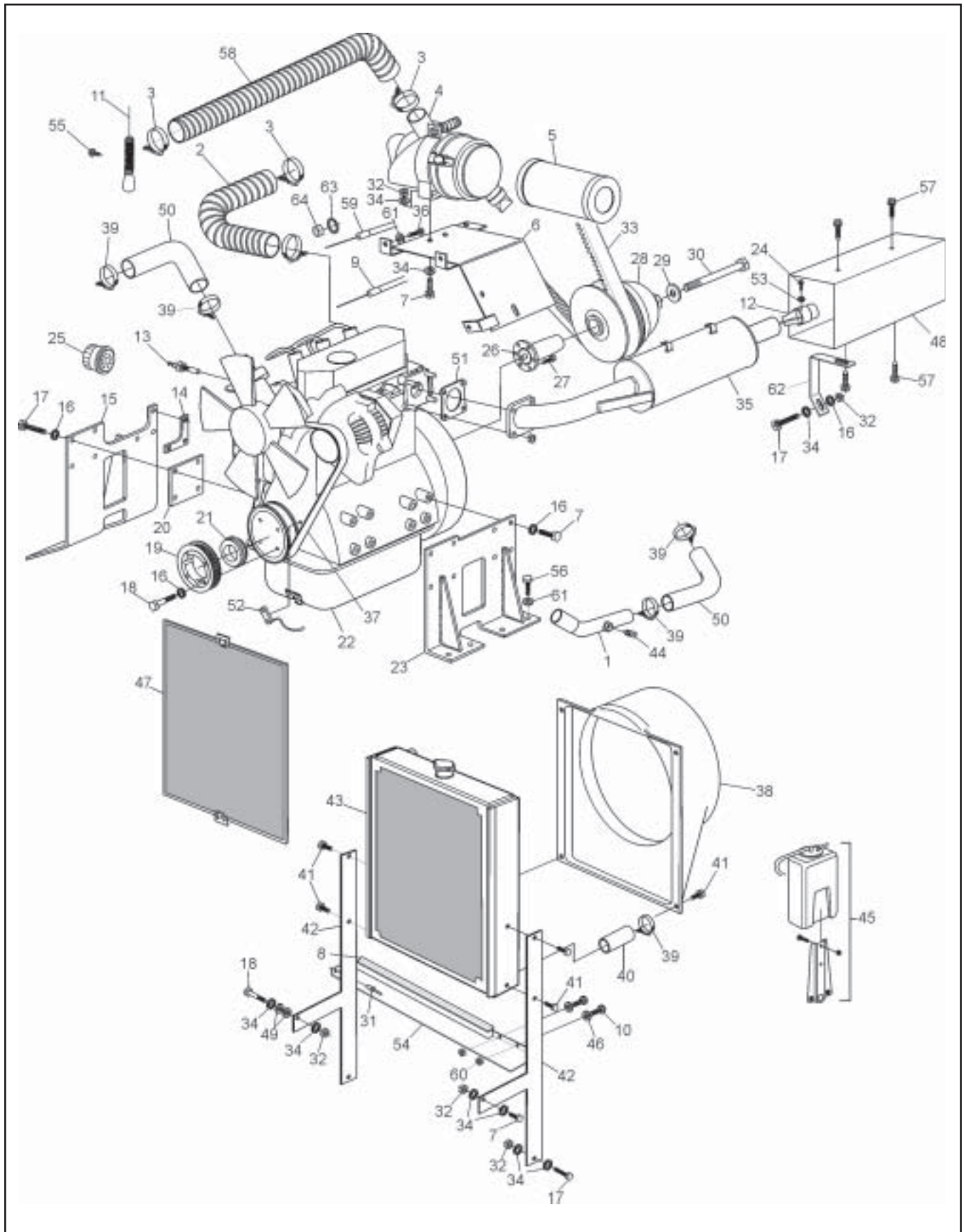
# Centaur Parts Manual

# 6.0 ROPS

Ref.	Qty.	Part #	Description	Ref.	Qty.	Part #	Description
1	1	849-171	Door Asm, Centaur - Right (See pg. 42 for details)	40	1	801-105	Firewall
2	1	849-170	Door Asm, Centaur - Left (See pg. 42 for details)	41	1	809-210	Spring, Gas - 2" - 60lbs. NSE200A60
3	16	108-15	Washer .42 x 81 x .05 Zn	42	1	809-206	Cable, Steering, Lock
4	1	128-04	Grommet, Rubber - 3/8" I.D.	43	1	806-130	ROPS, assembly
5	1	849-102	Wiper Motor	44	1	613-81	Light, Rear Cargo
6	1	849-103	Spacer, Wiper Assembly	45	1	127-96	Bushing, Snap-In
7	2	112-121	HHCS 1/4-28x1 1/4 Zn	46	1	809-207	Cushion, Arm Rest
8	1	849-106	Pantograph Kit	47	1	809-218	Cover Plate, Cushion
9	1	849-104	20" Wiper Arm	48	1	809-216	Arm Rest Assembly
10	1	849-105	20" Wiper Blade	49	2	108-03	Lockwasher, 1/4" Split Ring Zn
11	12	112-111	HHCS M8x1,25x20 (8.8) Zn	50	2	112-98	HHCS, M6x1x40mm Zn
12	1	801-147	Baffle, Rad - Firewall	51	1	801-130	Roof
13	1	801-102	Panel, Top - Windshield	52	1	801-128	Insulation, Sound-Roof
14	1	613-105	Light, Cab - Switched	53	1	801-155	Panel, Rear Window
15	2	112-124	T/S Pan Hd Phil #6x1.25 Zn	54	1	801-156	Insulation, Sound-R Wind- L
16	2	601-93	Trim, Vinyl - 4"	55	1	801-157	Insulation, Sound-R Wind- R
17	2	801-103	Panel, side-windshield	56	1	801-131	Window, Rear
18	1	100-03	Pin, Cotter 3/32 x .750 Zn	57	7ft.	801-101RM	Seal, Windshield, approx. 7ft.
19	4	108-01	Washer, Fender 1/4 x 1.25	58	20ft	126-60	Vinyl Strip 1/2" x 1/4"
20	1	801-104	Panel, Bottom - Windshield	59	1	848-126	Alarm, Back-up
21	37	120-13	Rivet - 3/16 x 5/8 Black	62	6	120-11	Rivet - 5/32 x 9/16" Black
22	73	112-102	Screw, Self-Drilling 12-14 x 3/4" Zn	63	1	104-27	Pin, Clevis 5/16 x .75" Zn
23	30	120-04	Washer, .19x.5x.08 Zn	64	1	100-100	Pin, Cotter 1/8 x 3/4 Zn
24	1	801-101	Seal, Windshield	65	4	108-08	Washer .28 x .62 x .07 Zn
25	1	801-100	Windshield	66	2	112-97	HHCS M6x1,0 x 25mm Zn
26	1	801-126	Bracket, Fuse Holder	67	2	112-115	Locknut, Nylon M6 x 1 Zn
27	1	106-07	Retaining Ring SH-0075-Pa	68	2	108-42	Washer .21 x 1.0 x .06 Zn
28	9	112-110	Screw-Self Drilling 12-14x1"	69	2	108-77	Lockwasher #8 Ext. Tooth Zn
29	8	117-60	Locknut, Nyloc M10x1,5 Zn	70	2	126-93	Clamp, Nylon Wire-1/2" ID
30	8	112-93	HHCS M10x1,5x25 Zn	71	4	127-24	Clamp, Nylon - 1" ID
32	2	809-211	Ball Stud - 39" Ballx5/16-18 Zn	72	6	127-93	Plug, Black Nylon - 3/8"ID
33	14	117-77	Locknut, Nylon M8 x 1,25 Zn	73	1	801-154	Console, Upper
34	28	108-24	Washer, .34 x .7 x .06 Zn				
35	1	801-110	Dash				
36	1	809-167RM	Seal, Radiator				
37	1	801-138	Labels, Warning-Centaur				
38	1	801-137	Labels, Info-Centaur				
39	1	801-127	Insulation, Sound - Firewall				



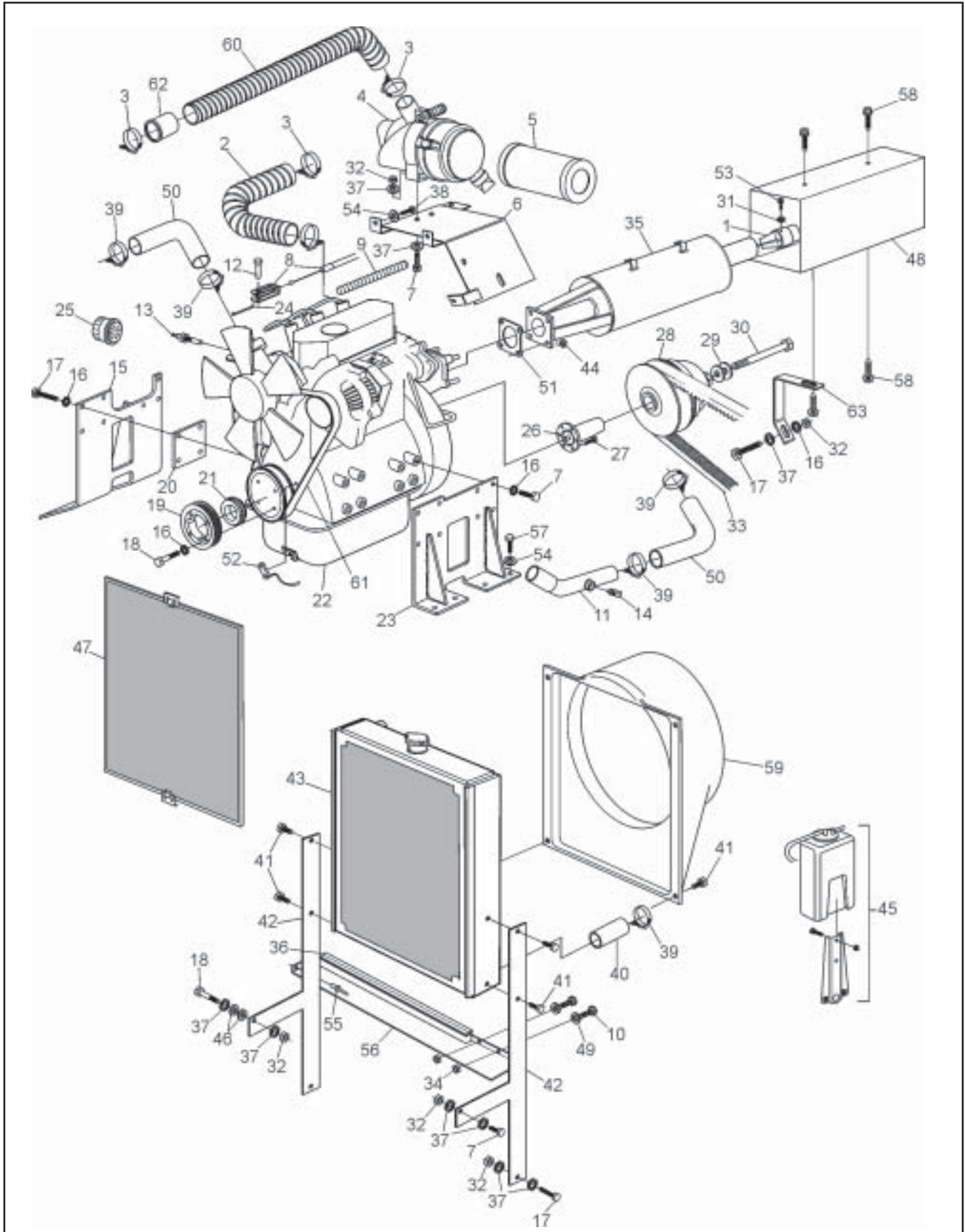
Ref.	Qty.	Part #	Description
1	9	112-97	HHCS M6 x 1 x 25mm Zn
2	19	108-03	Lockwasher, 1/4" Split Ring Zn
3	7	108-26	Washer .43 x 1.02 x .09 Zn
4	3	117-60	Locknut, Nylon M10 x 1,5 Zn
5	11	112-20	HHCS M8 x 1,25 x 25mm Zn
6	34	108-24	Washer .34 x .70 x .06 Zn
7	15	117-77	Locknut, Nylon M8 x 1,25 Zn
8	1	808-126	Cover, Transmission - Right
9	1	808-125	Tool Box
10	3	112-78	Clamp, Hose - 9/16" Black, DT Only
11	5	112-79	Clamp, Hose -1/2" Black
12	2*	608-85RM	Pickup, Fuel, 1/4" x 12.92" (* Only 1 for Gas)
13		608-68	Hose, Fuel 1/4" ID x 10', Bio-Diesel
14	1	808-123	Plug, 1/4" NPT Nylon (Gas Only)
15	1	119-105	Sender, Fuel -Swing Arm
16	5	112-95	HHCS M5 x 0.8 x 10mm
17	1	808-128	Seat Support Assembly - R
18	2	112-21	HHCS M8x1,25 x 60mm Zn
19	2	808-108	Bracket, Fuel Tank - Bottom
20	1	801-129	Insulation, Sound - Lower Baffle
21	1	801-158	Baffle, Lower
22	2	117-69	Insert, M8 x 1.25 x 13.5 mm OD
23	2	112-115	Locknut, Nylon M6 x 1 Zn
24	1	808-105	Bracket Asm -Fuel Tank
25	4	112-101	HHCS M8 x 1,25 x 45mm Zn
26	12	702-06	Foam Cushion
27	1	808-109SA	Fuel Tank
28	1	808-129	Seat Support Assembly -L, Welded
29	1	125-64	Filter, Fuel -Gas (Gas Only)
30	1	825005	Pump, Fuel - Gas Centaur
31	4	100-12	Clamp, Gear 2.25" HF-36
32	2	125-94	Hose, Filler
33	1	810-87	Tube, Bent- 2" OD
34	1	806-171	Bracket, Fuel Tube
35	1	808-122	Neck Asm, Fuel
36	1	126-46	Cap, Fuel
37	1	126-49RM	Hose, Vent 1/4 OD x 1/8 ID
38	8	126-94	Clamp, Nylon Wire - 1/4" ID
39	8	120-04	Washer, .19 x .5 x .08 Zn
40	8	120-13	Rivet - 3/16 x 5/8" Black
41	12	112-102	Screw, Self Drilling 12-14 x 3/4" Zn
42	1	808-127	Cover, Transmission - Left
43	12	112-98	HHCS M6 x 1 x 40mm Zn
44	1	808-112	Seat Frame Assembly
45	2	848-56	Seat Belt Assembly c/w Label
46	1	808-119	Seat Cushion -Bottom
47	3	112-120	HHCS, M10x1,5 x 80mm Zn
48	1	808-118	Seat Cushion -Back
49	1	825219	Filter Asy, Diesel Fuel -B&SD
50	1	820311	Filter Element, Diesel Centaur
51	1	100-101	Clamp, Gear 1/2" HF-4
52	1	809-145	Spacer, Buttite .375 x .625 x .048
53	2	108-05	Lockwasher, 5/16" Split Ring
54	2	108-12	Washer .34 x 1.00 x .06 Zn
55	5	112-136	Screw, Fast Lead - Knurled
56	5	127-120	Retainer, Fast Lead Screw - Large
57	6	108-08	Washer, .26 x .62 x .04 Zn



# Centaur Parts Manual

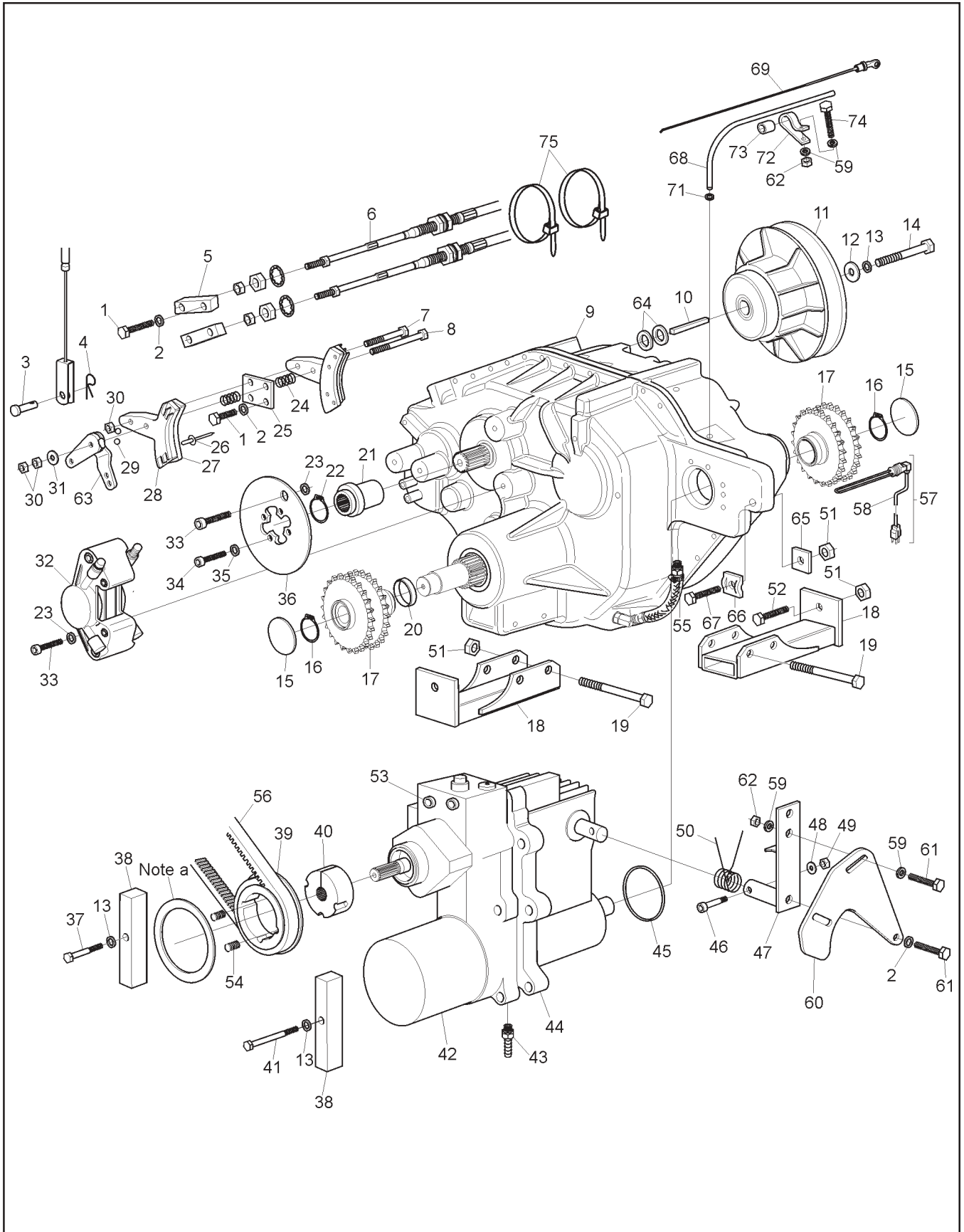
# 8.1 Power Pack Engine - 34G

Ref.	Qty.	Part #	Description	Ref.	Qty.	Part #	Description
1	1	809-195	Tube, Lower Rad - Bent - Cent.	36	1	112-137	HHCS M10x1,25x20mm Zn
2	1	810-88	Hose, Intake 1-7/8"Dia.ID x 4.5"	37	1	610-112	Belt, Fan
3	4	100-12	Clamp Gear 1.5" HF-28/30	38	1	809-238	Shroud, Rad - Fiberglass
4	1	835008	Filter, Air - B&SD Engine	39	6	848-16	Clamp Gear - 1.25" Dia HF-20
5	1	820263	Filter Element, Air - Centaur	40	2	809-163	Hose, Rad - Extension
6	1	811-112	Guard, Clutch	41	8	112-96	HHCS M6x1x10mm Zn
7	16	112-111	HHCS M8x1,25x20 (8.8) Zn	42	2	809-189	Radiator Support Ass'y - Cent.
8		809-167RM	Seal, Radiator Baffle	43	1	801-148	Radiator Kit
9	1	809-123	Cable, Throttle - (Gas)	44	1	103-02	Plug, Magnetic 3/8-18 NPT
10	2	103-25	PHMS 10-24 x 3/4 Zn	45			Part of item 43
11	1	127-110	Spring,Ext. 0.59x8.0" (Gas)	46	2	120-04	Washer .19 x .50 x .08 Zn
12	1	607-103	Spark Arrester	47	1	835027	Screen, Radiator
13	1	119-107	Sender, Temp 250F	48	1	807-120	Shield, Exhaust
14	1	811-114	Spacer, 3 Hole 3/16" Thk	49	2	108-47	Washer .39 x .94 x .13 Zn
15	1	811-105	Bracket, Engine Mnt - Rear	50	1	825133	Rad Hose, (Inlet & Outlet)
16	20	108-05	Lockwasher 5/16 Split-Ring, Zn	51	1	820085	Gasket, Exhaust
17	10	112-20	HHCS M8x1,25x25mm Zn	52	1	825009	Sender, Pulse Generator
18	4	112-101	HHCS, M8 x 1,25 x 45mm Zn	53	1	108-77	Lockwasher #8 Ext. Tooth Zn
19	1	610-102	Sprocket, Belt - 38T w/4 Holes	54	1	809-193	Baffle, Radiator
20	1	811-110	Spacer, 2.5x3 - 4 Holes	55	1	112-105	BHCS M4 x 0,070 x 10mm (8.8) Bare
21	1	610-104	Bushing, Adapter	56	8	112-93	HHCS, M10x1,5x25mm Zn-8.8
22	1	DM954G	Engine - B&SD Gas, 34 HP	57	4	112-19	Screw, IHWH T/C Slot 1/4-20x1/2
23	1	811-104	Bracket, Engine Mnt - Front	58	1	810-86	Hose, Intake 1-7/8" Dia.x 40"
24	1	112-43	Screw, IHWH #8 x 3/8	59	1	809-158	Cable, Choke - (Gas)
25	1	820314	Filter, Oil - Centaur Diesel	60	2	117-10	Locknut, 10-24 N/I Zn
26	1	610-120	Shaft, PTO - Tapered	61	9	108-67	Lockwasher 3/4 Split Ring Zn
27	6	112-109	SHCS M10x1,25x30 (12.9) PL	62	1	807-136	Brace, Exhaust Shield
28	1	610-121	Clutch, Driver - Tapered Shaft - 31/34 HP	63	1	108-32	Lockwasher, 3/8 Int. Tooth Zn
29	2	108-41	Washer .53x1.09x.12 Plain	64	1	117-68	Nut, Jam 3/8-24 UNF, Zn
30	1	112-113	HHCS, M12x1,75x160 (8.8) Zn				
31	2	120-13	Rivet - 3/16 x 5/8 Black				
32	7	117-77	Locknut, Nylon - M8x1,25mm Zn				
33a	1	610-119	Drive Belt - 31 HP				
33b	1	610-119SA	Drive Belt - 34 HP				
34	7	108-24	Washer, .34 x .70 x .06 Zn				
35	1	807-131	Muffler - Side Exhaust - Gas				

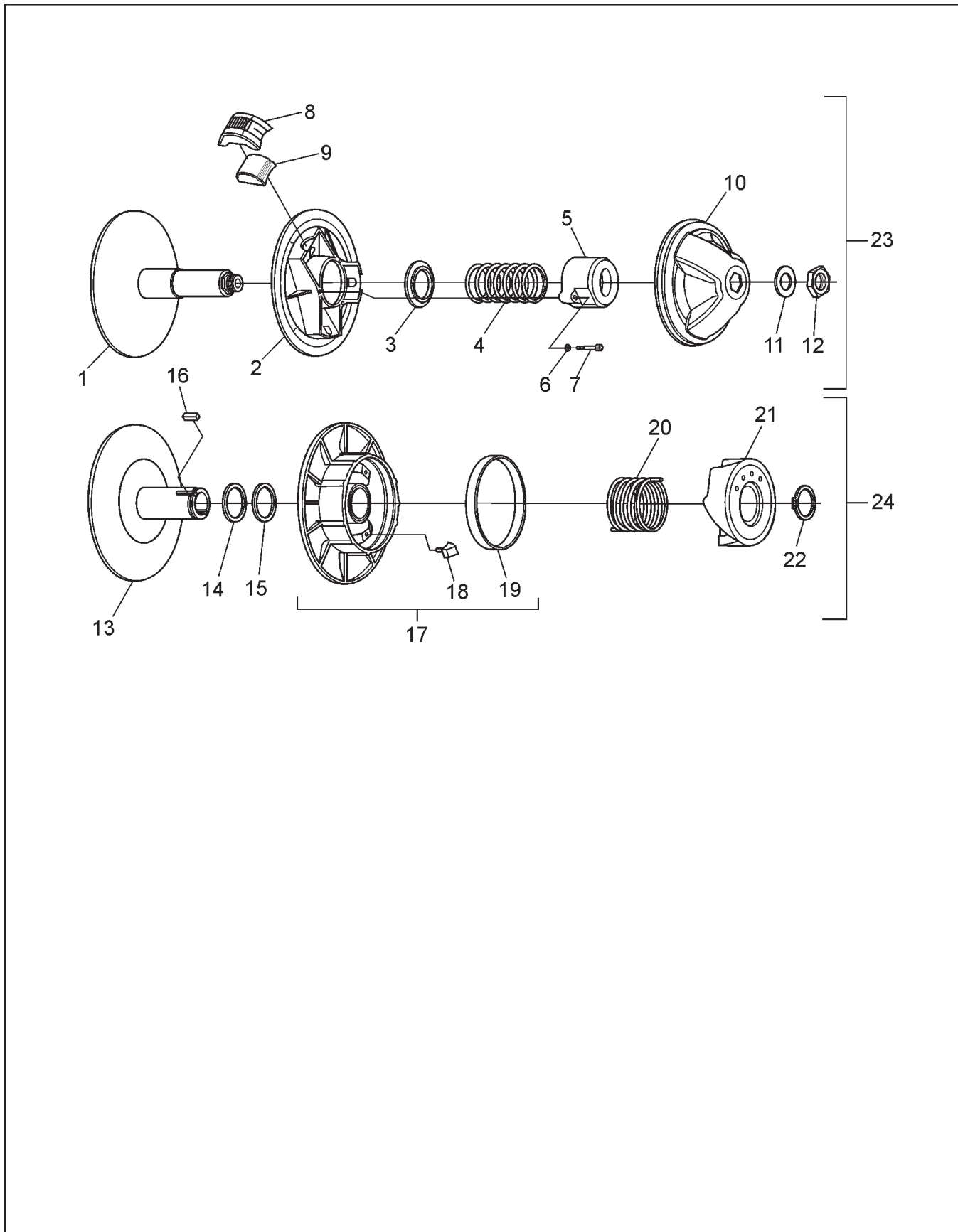


## Centaur Parts Manual 8.2 Power Pack Engine - 34DT

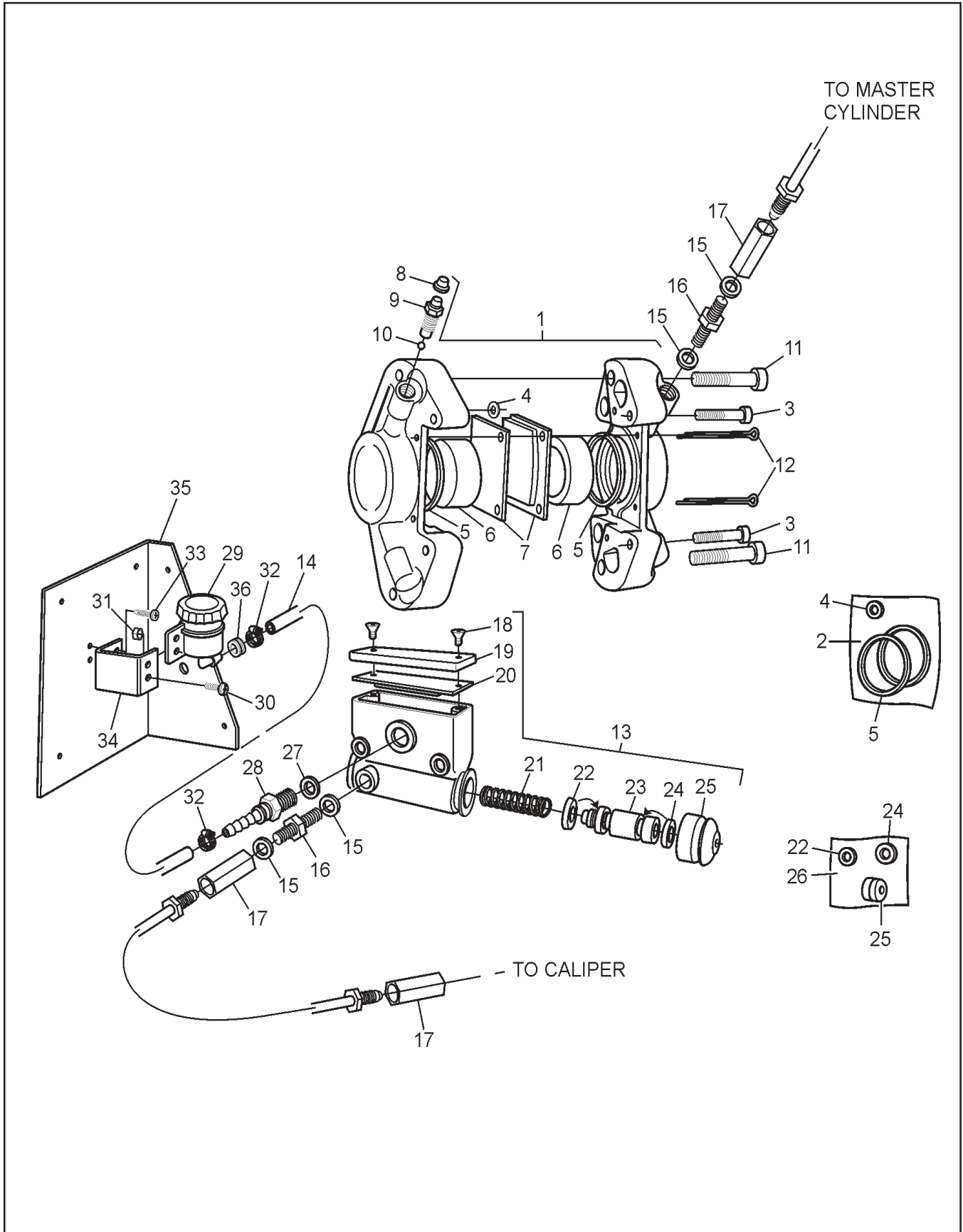
Ref.	Qty.	Part #	Description	Ref.	Qty.	Part #	Description
1	1	607-103	Spark Arrestor	34	2	117-10	Locknut, 10-24 N/I Zn
2	1	810-109	Hose, Intake 1-7/8"Dia.ID x 33" - DT	35	1	807-130	Muffler - Side Exhaust - DT
3	4	848-17	Clamp Gear 1.5" HF-28/30	36		809-167RM	Seal, Radiator Baffle - DT
4	1	835008	Filter, Air - B&SD Engine	37	13	108-24	Washer .34x.70x.06 Zn
5	1	820263	Filter Element, Air - Centaur	38	1	112-137	HHCS M10x1,25x20mm Zn
6	1	811-112	Guard, Clutch	39	7	848-16	Clamp Gear - 1.25" Dia HF-20
7	11	112-111	HHCS M8 x 1,25 x 20 (8.8) Zn	40	1	809-163	Hose, Rad - Extension
8	1	809-148	Cable, Throttle - (Diesel)	41	8	112-96	HHCS M6x1x10mm Zn
9	1	810-90	1/2" OD Tubing, Convuluted	42	2	809-189	Radiator Support Assembly-Cent
10	2	103-25	PHMS 10-24 x 3/4 Zn	43	1	801-148	Radiator Kit - Turbo Diesel
11	1	809-195	Tube, Lower Rad - Bent - Centaur	44		90041-79123	Rad Mounting Nuts
12	1	104-28	Pin, Clevis 1/4 x.780" Zn	45			Part of item 43
13	1	119-107	Sender, Temp 250F	46	2	108-47	Washer .39 x .94 x .13 Zn
14	1	103-02	Plug, Magnetic 3/8-18 NPT	47	1	55159-87804	Screen, Radiator
15	1	811-105	Bracket, Engine Mnt - Rear	48	1	807-120	Shield, Exhaust
16	20	108-05	Lockwasher 5/16 Split-Ring, Zn	49	2	120-04	Washer .19 x .50 x .08 Zn
17	11	112-20	HHCS M8x1,25x25mm Zn	50	2	825133	Rad Hose (Inlet & Outlet)
18	3	112-101	HHCS, M8 x 1,25 x 45mm Zn	51	1	820085	Gasket, Exhaust
19	1	610-102	Sprocket, Belt - 38T w/4 Holes	52	1	825009	Sender, Pulse Generator
20	1	811-110	Spacer, 2.5x3 - 4 Holes	53	1	112-43	Screw, IHWH #8 x 3/8
21	1	610-104	Bushing, Adapter	54	9	108-67	Lockwasher M10 Split Ring Zn
22a	1	DM950DT	Engine - B&SD Diesel, 31 HP	55	2	120-13	Rivet - 3/16 x 5/8 Black
22b	1	DM954DT	Engine - B&SD Diesel, 34 HP	56	1	809-193	Rad Baffle
23	1	811-104	Bracket, Engine Mnt - Front	57	8	112-93	HHCS, M10x1,5x25mm Zn
24	1	104-29	Pin, Cotter 1/16x3/4 Zn.	58	4	112-19	Screw, IHWH T/C Slot 1/4-20 x 1/2
25	1	820314	Filter, Oil - Centaur Diesel	59	1	809-238	Shroud, Fan - Fiberglass
26	1	610-120	Shaft, PTO - Tapered	60	1	810-86	Hose, Intake - 1-7/8" Dia. x 40"
27	6	112-109	SHCS M10x1,25x30 (12.9) PL	61	1	610-112	Belt, Fan
28	1	610-121	Clutch, Driver - Tapered Shaft - 31/34 HP	62	1	810-108	Hose Adapter
29	2	108-41	Washer .53x1.09x.12 Plain	63	1	807-136	Brace, Exhaust Shield
30	1	112-113	HHCS, M12x1,75x160 (8.8) Zn				
31	1	108-77	Lockwasher #8 Ext. Tooth Zn				
32	7	117-77	Locknut, Nylon - M8x1,25mm Zn				
33a	1	610-119	Drive Belt - 31HP				
33b	1	610-119SA	Drive Belt - 34 HP				



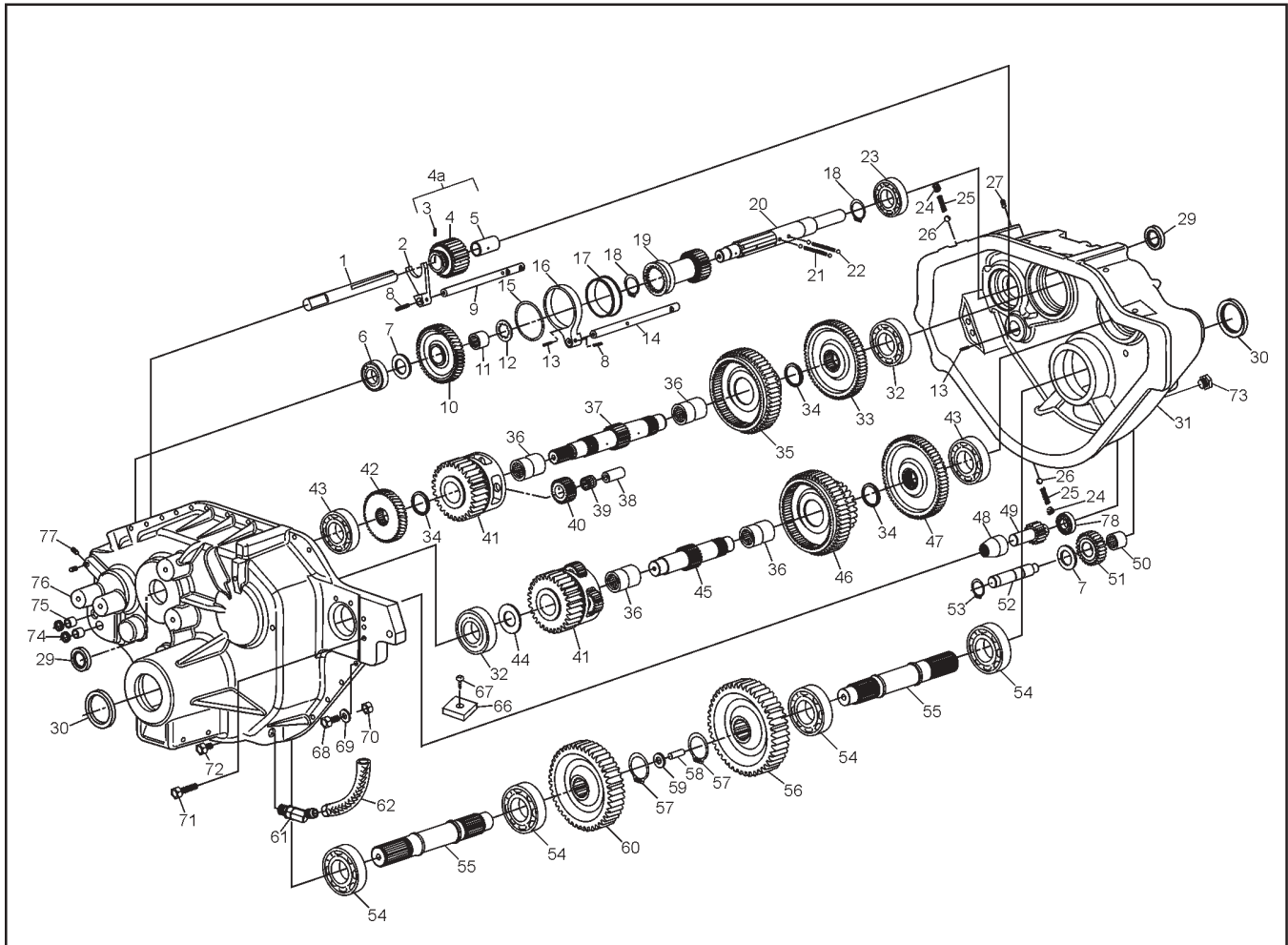
Ref.	Qty.	Part #	Description	Ref.	Qty.	Part #	Description
1	4	112-20	HHCS M8x1,25x25mm Zn	40	1	610-103	Bushing, Gates QD - SH
2	5	108-05	Lockwasher 5/16 Split-Ring Zn				w/21T Spline
3	1	104-27	Pin, Clevis 5/16 x .75" Zn	41	1	112-91	HHCS M10x1,5x150mm Zn
4	1	100-03	Pin, Cotter 3/32 x .750 Zn	42	1	610-114	Filter, Oil Hydrostat
5	2	809-159	Bar, Shift - Cable End	43	1	127-84	Fitting, Hose 7/8-14 UNF"O"
6	2	809-149	Cable, Shift	43b	1	NPN	O-Ring, AS568-910 - .755"
7	1	103-29	HHCS 5/16-24x2.75 Gr8 Zn				I.D. x .097" Thick
8	1	112-103	HHCS 5/16-24x4.0 Gr8 Zn	44	1	610-100	Transmission, Hydrostatic
9	1	CE-100	Transmission Asm - Centaur	45	1	127-104	O-Ring #AS568-151-70 BN
10	1	110-13	Key 1/4x1/4x2.25 45Rc	46	1	112-106	Screw, Shoulder 1/4x1 Long
11	1	610-122	Clutch Driven - 240mm 31/34 HP	47	1	809-118	Steering Lever Asm - Trans
12	1	108-18	Washer .40x1.37x.12 Zn	48	1	120-04	Washer .19x.50x.08 Zn
13a	2	108-67	Lockwasher M10 Split Ring Zn	49	1	117-10	Locknut, Nylon #10-24 Zn
13b	1	108-67	Lockwasher M10 Split Ring Zn	50	1	809-121	Spring, Torsion Steering
14	1	112-117	HHCS, M10x1,5x60mm Zn	51	7	117-76	Locknut Nylon M16 x 2,0 Zn
15	2	102-32	Seal, Oil-End Cap 2.44 ODx.47	52	2	112-84	HHCS M16 x 2,0 x 40 CL
16	2	106-16	Retaining Ring SH-0177-PA				8.8 Zn
17	2	805-127	Sprocket ASM - S80 x 2 x 16T	53	2	127-89	Plug, Drain 9/16-18 Str Thd
18	2	811-100	Bracket ASM - Trans Mount	54	2	112-131	SHSS 3/8-16 x 1/2 Cup PT
19	4	112-86	HHCS M16x2,0x120 CL 8.8 Zn	55	1	638-16	Clamp, Gear 5/8" HF-10
20	2	805-116	Bushing, 2.25OD x 2.05IDx0.4	56	1	610-109	Belt, Polychain- 8M1000
21	1	610-116	Hub, Disc Brake - Splined	57	1(opt.)	613-103	Heater, Trans. Oil
22	1	107-02	Retaining Ring SH-0118-PA	58	repl.	613-102	Cord, Electrical Trans.
23	2	108-23	Washer .42 x .81 x .06 Gr8				Heater
		Zn DI-C		59	4	108-24	Washer, .34 x .7 x .06 Zn
24	2	100-10	Spring, Comp. 0.53 x 0.88	60	1	809-203	Plate, Steering Lock
25	1	848-82	Bracket, Caliper				Adjustment
26	8	120-11	Rivet - 5/32 x 9/16 Black	61	2	112-111	HHCS M8x1,25 x 20 (8.8) Zn
27	1	100-56	Pad Set(2), Brake	62	2	117-77	Locknut, Nylon - M8x1,
28	2	100-54AP	Caliper, Brake (incl. pin)				25mm Zn8
29	2	109-02	Ball, Steel 1/4 Chromesteel	63	1	809-155	Cam, Parking Brake
30	3	117-46	Locknut, 2-Way 5/16-24 Zn	64	2	108-36	Washer 1.03 x 1.37 x .06 Zn
31	1	108-12	Washer .34 x 1.00 x .06 Zn	65	1	811-09	Washer, Square .64ID
32			<b>See Section 11.0 Brake System</b>	66	1	811-15	Washer, Square Lock .64ID
33	2	112-104	SHCS M10x1,5x30mm Zn	67	1	112-83	HHCS M16 x 2.0 x 80mm
34	4	112-119	SHCS, M6x1x25mm Zn Prop CL 12.9	68	1	CE-038	Tube, Dipstick - Centaur
35	4	108-03	Lockwasher 1/4 Split Ring Zn	69	1	CE-039	Dipstick, Centaur Trans
36	1	610-115	Disc, Brake - 7" Dia, 4 Bolt	71	1	127-117	O-ring AS568-015-70BN
37	1	112-112	SHCS M10x1,5x60	72	1	806-202	Bracket, Tube Clamp
38	2	811-111	Block, Bridge	73	1	127-121	Hose Piece, 5/8" x 1" Lg
39	1	610-101	Sprocket, Belt - 38T (note a)	74	1	112-101	HHCS M8 x 1,25 x 45mm Zn
				75	2	100-102	Tie Wrap - 14"
							note a: Remove from 610-101 at assembly



Ref.	Qty.	Part #	Description
1	1	0405-0066	Flange, Fixed
2	1	0410-0025	Flange, Sliding
3	1	0150-1014	Spring Guide Washer
4	1	0151-1005	Spring
5	1	0440-0005	Spring Cover
6	3	0080-0167	Lockwasher
7	3	0080-0021	Screw, Cap
8	3	0130-3009	Block
9	3	0135-2053	Weight (400gr)
10	1	0115-0047	Cap
11	1	0080-0162	Washer, Zn
12	1	V16J1	Nut
13	1	5105-0018	Flange, Fixed
14	as req	ASA-1	Washer, Shim 1.2
15	as req	ASA-1-S	Washer, Shim 0.6
16	1	ASK-5	Key, Square
17	1	5110-0018	Flange, Sliding (31 HP)
18	3	ANS-2-T	Cam Shoe
19	1	5140-3006	Cam Bushing
20	1	ACS-3-207	Spring, Grey
21	1	5120-2035	Cam
22	1	0080-0220	Retaining Ring, Outside
23	1	610-121	Clutch, Driver (31/34 HP)
24	1	610-122	Clutch, Driven (31/34 HP)



Ref.	Qty.	Part #	Description
1	1	166-10	Caliper, Hydraulic Brake - L
2	2	161-01	O-Ring Kit, Caliper (incl. Refs 4 & 5)
3	2	160-40	SHCS M8 x 1,25 x 40 Zn
4	1		Seal, Rubber-5mm (see Ref 2)
5	2		Seal, Piston-41mm (see Ref 2)
6	2	168-05	Piston 41mm
7	0.5	170-03	Brake Pad Set (4) - Non-asbestos
8	1	168-20	Plug, Rubber
9	1	168-03	Screw, Bleeding M10 x 1,0
10	1	109-03	Ball, Steel - 7/32 Dia.
11	2	160-41	SHCS M10x1,5 x 50mm Zn
12	2	168-07	Pin, Cotter 3,2 x 50mm
13	1	165-07	Master Cylinder (incl. Refs 18 - 25)
14	1	165-15RM	Hose, Brake Fluid - RM - 15"
15	4	160-01	Washer, Copper-1,5 x 10,0 x 14,0
16	2	809-160	Fitting, Brake Line - M10 x 1,0
17	3	809-170	Union, Brake Line - 3/16
18	2	103-47	HHMS #10-24 x 1/2" Zn
19	1	168-17	Cover
20	1	168-16	Cover, Rubber
21	1	162-08	Spring, Comp. 17.3 x 49.3mm
22	1		Seal, Primary, 19mm (See Ref. 26)
23	1	168-10	Piston 19mm Dia.
24	1		Seal, Secondary, 19mm (See Ref. 26)
25	1		Boot, Rubber (See Ref. 26)
26	1	161-25	O-Ring Kit-Master Cylinder (incl. Refs 22, 24 & 25)
27	1	165-17	Washer, Sealed
28	1	165-16	Fitting, 1/4-19BSPPx1/4 Barb
29	1	165-14	Reservoir, M/C Remote
30	2	103-25	PHMS, 10-24 x 3/4 Zn
31	2	117-10	Locknut, 10-24 N/I Zn
32	2	100-101	Clamp, Gear 1/2"
33	2	112-102	Screw, Self-Drill 12-14 x 3/4"
34	1	809-239	Bracket, M/C Reservoir
35	1	809-187	Cover - Shift Box/Dash Painted
36	1	127-132	Grommet, Rubber - 1/2" ID

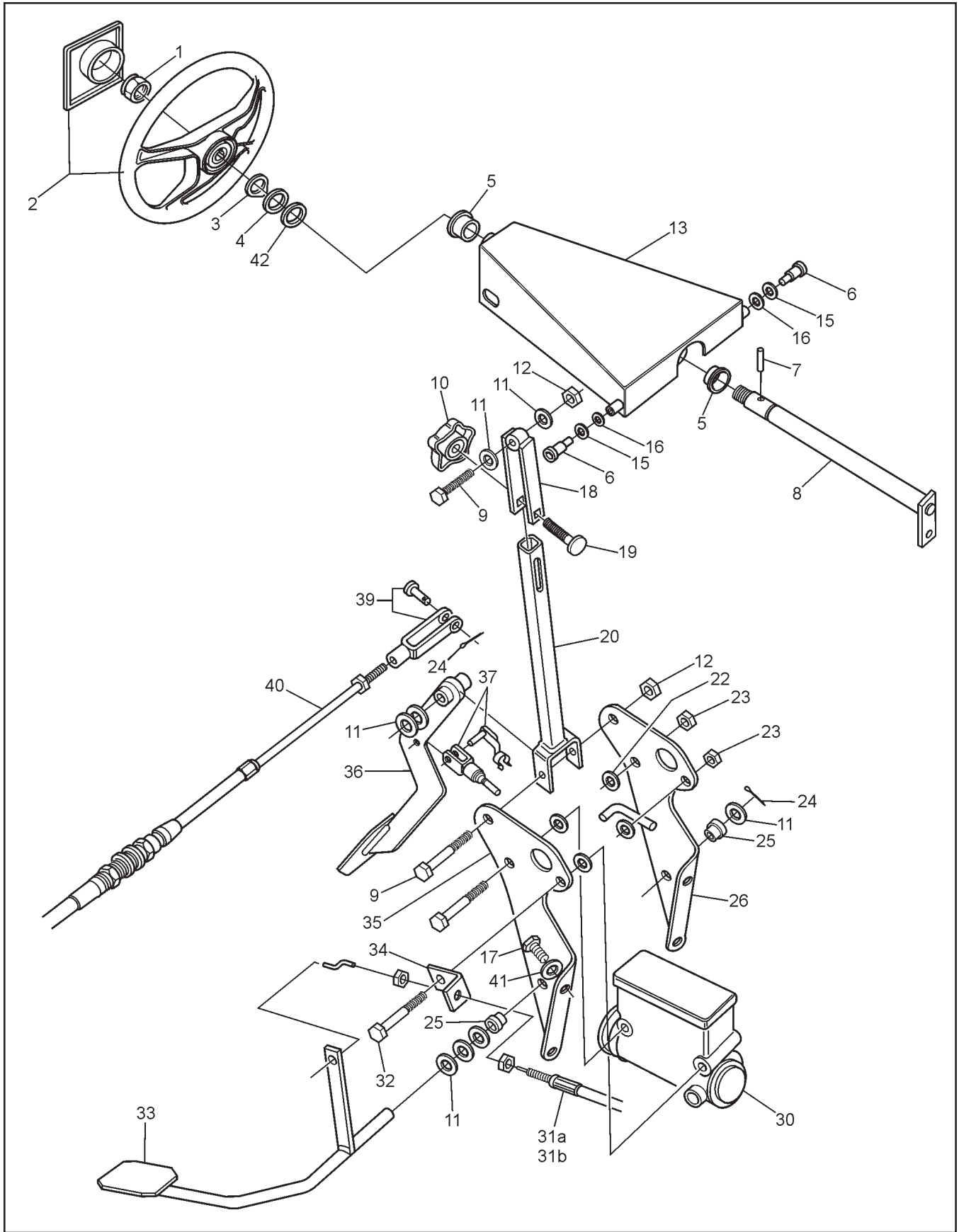


Ref.	Qty.	Part #	Description
1	1	CE-017	Shaft, Reverse
2	1	CE-028	Fork, Shift -Reverse
3	1	111-08	Pin, Spring 0.125 Dia x 0.75 Long
4	1	CE-016	Idler, Reverse -28T
4a	1	CE-016A	Gear, Idler - incl. Bushing
5	1	101-77	Bushing, Oilite AA-1232-4 (1.00 x 2.25)
6	1	101-74	Bearing, Ball 6305Z Cl.N.
7	2	CE-031	Washer, Thrust -Input
8	2	111-07	Pin, Roll .250 Dia x .88 Long
9	1	CE-021	Shaft, Shift -Reverse
10	1	CE-037	Gear, Input -45T Hi
11	1	101-70	Bearing, Needle HMK2830
12	1	CE-034	Washer, Thrust Input Splined
13	2	RA101-14	Pin, Dowel 1/4x1/2
14	1	CE-020	Shaft, Shift -Forward
15	1	106-17	Retaining Ring M3200-0850
16	1	CE-018	Fork, Shift -Forward
17	2	CE-019	Cone, Synchronizer
18	2	106-15	Retaining Ring SH-0137-PA
19	1	CE-036	Pinion, Input - 27T Lo
20	1	CE-015	Shaft, Input
21	2	CE-033	Spring, Comp. 0.25 x 1.46

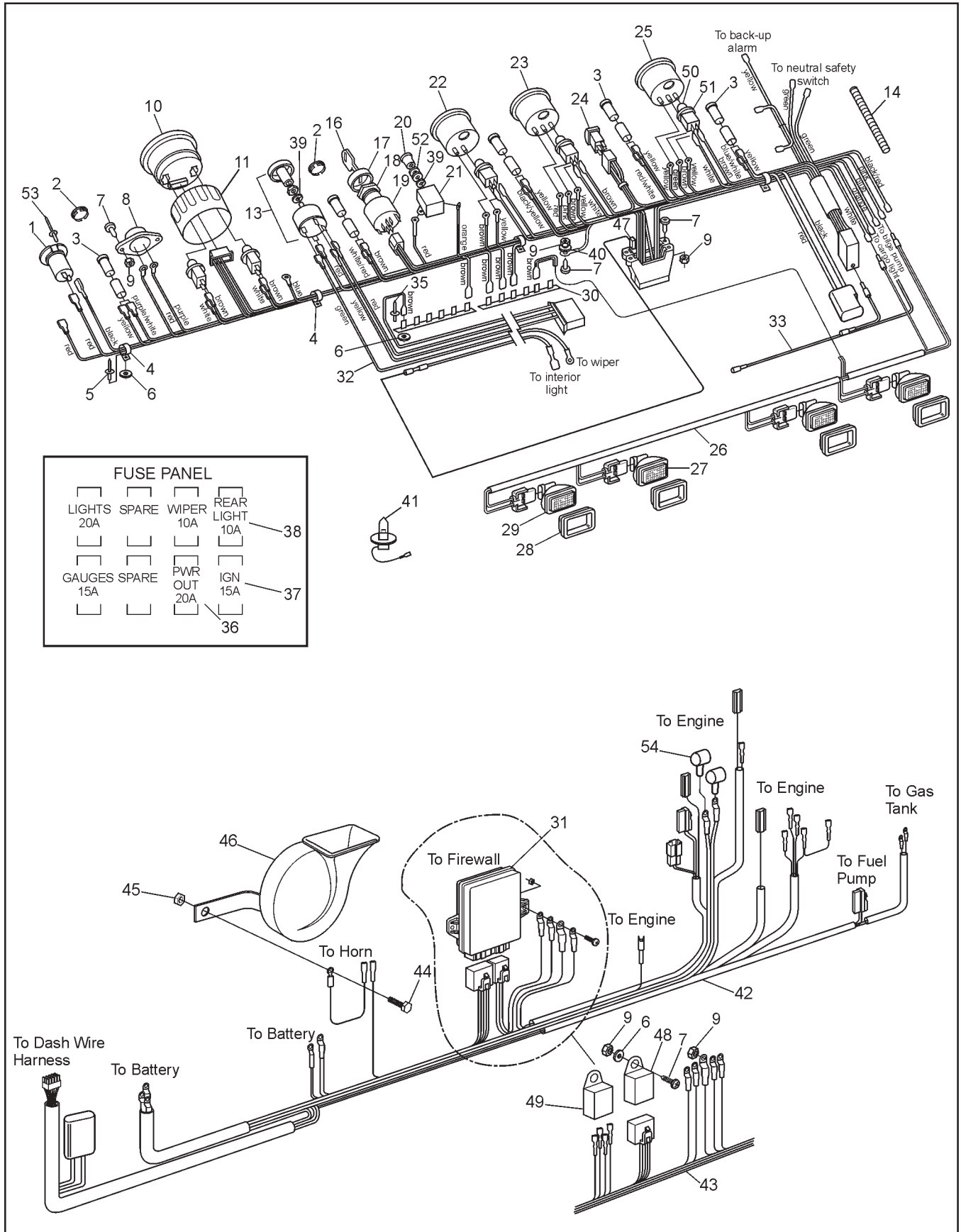
Ref.	Qty.	Part #	Description
22	4	109-02	Ball, Steel 1/4 Chromesteel
23	1	101-73	Bearing, Ball 6307 CL. N.
24	2	112-89	SHSS, M12 x 1,75 x 12 Cup Pt
25	2	486-05	Spring - 3/8 ID
26	3	479-03	Ball, Steel 3/8 Dia.
27	4	112-108	SHSS, M10 x 1,50 x 10 Plain
29	2	102-30	Seal, Oil CR#13946 35x50x8
30	2	102-29	Seal, Oil CR#22328 2.25x2.875x.313
31	1	CE-023	Housing, Left
32	2	101-72	Bearing, Ball 6407Z CL. N
33	1	CE-011	Gear, Input -65T Lo
34	3	106-14	Retaining Ring M2400-0400
35	1	CE-004	Gear, Ring
36	8	101-68	Bearing, Needle HMK4030
37	1	CE-009	Shaft, Drive -Sun Gear 23T
38	8	CE-008	Shaft, Planet
39	8	101-69	Bearing, Needle K20x28x25
40	8	CE-007	Gear, Planet -23T
41	2	CE-006	Gear, Planet Carrier -30T
42	1	CE-012	Pinion, Input -43T Hi
43	2	101-71	Bearing, Ball 6407 CL. N
44	1	CE-030	Washer, Thrust -Carrier
45	1	CE-010	Shaft, Steering -Sun Gear 23T
46	1	CE-005	Gear, Ring -With Pinion
47	1	CE-022	Gear, Steering -71T
48	1	CE-032	Adapter, Splined -17T
49	1	CE-025	Pinion, Steering -15T
50	1	101-67	Bearing, Needle HK2526
51	1	CE-026	Gear, Idler -26T Steering
52	1	CE-027	Shaft, Idler -Steering
53	1	106-13	Retaining Ring SH-0098-PA
54	4	101-37	Bearing, Ball 6309 CL. N.
55	2	CE-003	Shaft, Output
56	1	CE-002	Gear, Output -50T L
57	2	106-16	Retaining Ring SH-0177-PA
58	1	104-23	Pin, Dowel .50 DIA x 1.00 Long
59	1	101-75	Bearing, Thrust (Oilite TT-1001-1)
60	1	CE-001	Gear, Output -45T R
61	1	127-98	Fitting, Adapter -45 Degrees
62	1	127-109	Hose Asm, Oil Pickup
66	1	CE-029	Magnet, 1" x 3/4" x 1/4" Thick
67	1	112-105	BHCS M4 x 0,70 x 10mm (8.8) Bare
68	21	112-63	HHCS M8x1,25x35mm Zn
69	51	108-76	Washer, .33 x .59 Zn
70	25	117-77	Locknut, Nylon M8x1,25 Zn
71	4	112-101	HHCS M8x1,25x45mm Zn
72	5	112-20	HHCS M8x1,25x25mm Zn
73	1	RA101-15	Plug, Pipe 1/2-14 NPT
74	2	102-31	Seal, Oil CR#6120 .625x.875x.188
75	2	105-19	Bushing, 10TH08
76	1	CE-024	Housing, Right
77	6	112-88	SHSS, M8 x 1,25 x 8 Cup Pt
78	1	101-40	Bearing, Ball 6305 CL.N.

# 13.0 Steering

# Centaur Parts Manual



Ref.	Qty.	Part #	Description
1	1	117-76	Locknut, Nylon M16 x 2,0 Zn
2	1	809-133SA	Steering Wheel
3	1	106-07	Retaining Ring SH-0075-PA
		106-19	Retaining Ring SE-0074-ZD
4	1	108-16	Washer .79 x 1.00 x .06 Zn
5	2	105-16	Bushing, Oilite -3/4 x 1/2
6	2	112-141	Screw, Shoulder 5/16 x 3/8 Lg.
7	1	104-26	Pin, Spring 3/16 x 13/16
8	1	809-236	Steering Shaft Assembly
9	2	112-117	HHCS, M10 x 1,5 x 60mm Zn
10	1	117-71	Knob, Star - 3/8-16 - 3.5" OD
11	9	108-15	Washer, .42 x .81 x .05 Zn
12	2	117-60	Locknut, Nyloc M10x1,5 Zn
13	1	809-232	Steering Column Assembly
15	2	108-24	Washer, .34 x .7 x .06 Zn
16	2	112-116	Washer, Nylite Rolled Nylon - 5/16" ID
17	4	112-20	HHCS M8 x 1,25 x 25mm Zn
18	1	809-116	Plate, Adjuster Asy
19	1	112-39	C/Bolt 3/8-16 x 1.75 Gr5 Zn
20	1	809-113	Adjuster Assembly - Steering Box Lower
22	4	108-08	Washer .28 x .62 x .04 Zn
23	2	117-27	Locknut, Nylon 1/4-20 Zn
24	3	100-03	Pin, Cotter 3/32 x .75 Zn
25	2	105-18	Bushing, Oilite 3/8 x 1/2 x 1/4
26	1	809-112	Support -Throttle Brake Assembly
30	1		<b>See Section 11.0 Brake System</b>
31a		809-148	Cable, Throttle - Diesel (REF ONLY)
31b		809-123	Cable, Throttle - Gas (REF ONLY)
32	2	112-40	HHCS 1/4-20 x 2.5 Gr2 Zn
33	1	809-105	Throttle Pedal Assembly
34	1	809-109	Bracket, Cable
35	1	809-111BL	Support, Throttle -Black
36	1	809-100	Brake Pedal Assembly
37	1	809-104	Push Rod, Brake Pedal
39	1	809-157	Clevis Assembly
40	1	809-150	Cable, Steering
41	4	108-05	Lockwasher 5/16 Split Ring Zn
42	1	127-112	O-Ring #AS568-116-70BN

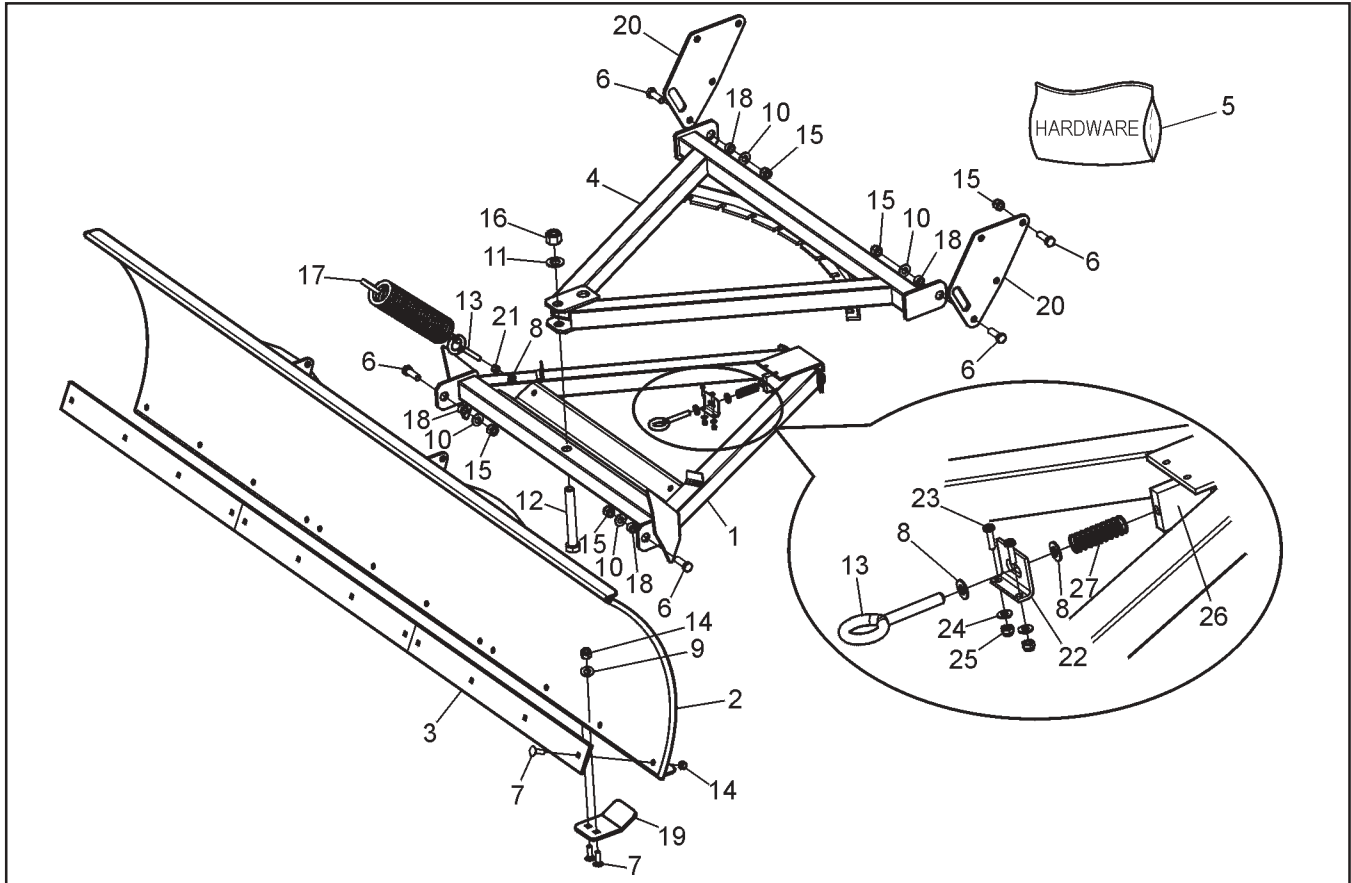


FUSE PANEL			
□	□	□	□
LIGHTS 20A	SPARE	WIPER 10A	REAR LIGHT 10A
□	□	□	□
GAUGES 15A	SPARE	PWR OUT 20A	IGN 15A
□	□	□	□

Ref.	Qty.	Part #	Description
1	1	613-90	Outlet, 12 Volt DC
2	2	127-90	Plug, Black Nylon - 3/8" ID
3	3-5	634-08	Light, Indicator
4	2	126-93	Clamp, Nylon wire - 1/2" ID
5	4	120-13	Rivet - 3/16 x 5/8 Black
6	10	120-04	Washer, .19x.5x.08 Zn
7	7	103-25	PHMS #10-24x3/4" Zn
8	1	848-86	Button, Horn
9	7	117-10	Locknut, Nylon #10-24 Zn
10	1	119-102	Tachometer, 80mm, 0-4000
11	1	119-108	Collar, Gauge Mounting Ring
12	2	127-24	Clamp, Nylon - 1" ID
13	1	849-107	Switch, 2 speed wiper
14	6"	127-124RM	Tubing, Convolutd - 3/8" ID
15	1	100-102	Tie Wrap - 14", White
16	2	127-108	Key, Molded
17	1	127-107	Cover, Nut
18	1	127-106	Nut, Flanged - Plastic
19	1	127-105	Switch, Ignition
20	1	126-76	Knob, Light -Black
21	1	100-62	Switch, Light
22	1	119-103	Voltmeter, 52mm
23	1	119-106	Gauge, Temp. 25O F
24	1	613-77	Switch, Light Hi/Low
25	1	119-104	Gauge, Fuel -52mm
26	1	810-101	Wire Harness - Headlights
27	2	613-73	Headlamp, Halogen -37 W Trap
28	4	613-74	Bezel, Rubber Headlamp
29	2	613-69	Headlamp, Halogen - 37 Watt
30	2	613-37	Terminal strip, Ground
31	1	825572	Module, Ignition
32	1	810-105	Wire Harness - Interior Light & Wiper
33	1	810-104	Wire Harness - Rear Compt Light
34	1	810-100	Wire Harness - Centaur Dash
35	4	120-15	Rivet, 1/8 x 7/16
36	2	118-53	Fuse, 20A
37	4	118-49	Fuse, 15A
38	2	118-52	Fuse, 10A
39	2	108-55	Lockwasher, 7/16" Ext. Tooth
40	1	108-56	Lockwasher, 1/4 Ext. Tooth
41	4	127-46	Bulb, Headlight - Halogen
42	1	810-103	Wire Harness - Gas
43	1	810-102	Wire Harness - Diesel
44	1	112-20	HHCS M8 x 1,25 x 25 Zn
45	1	117-77	Locknut, Nylon M8 x 1,25 Zn
46	1	848-87	Horn, Electric
47	1	118-04	Connector, T-Tap 14-18 awg
48	1	820373	Preheat Timer
49	1	820455	Glow Plug Relay Assembly
50	1	119-109	Light, Bulb
51	1	119-110	Socket, Light Bulb
52	2	108-26	Washer .43 x 1.02 x .09 Zn
53	3	120-24	Rivet, Alum. 3/32 x 3/8 Black
54	2	613-45	Insulator, Terminal (6 Ga.)

# 657-106 Snowplow Kit

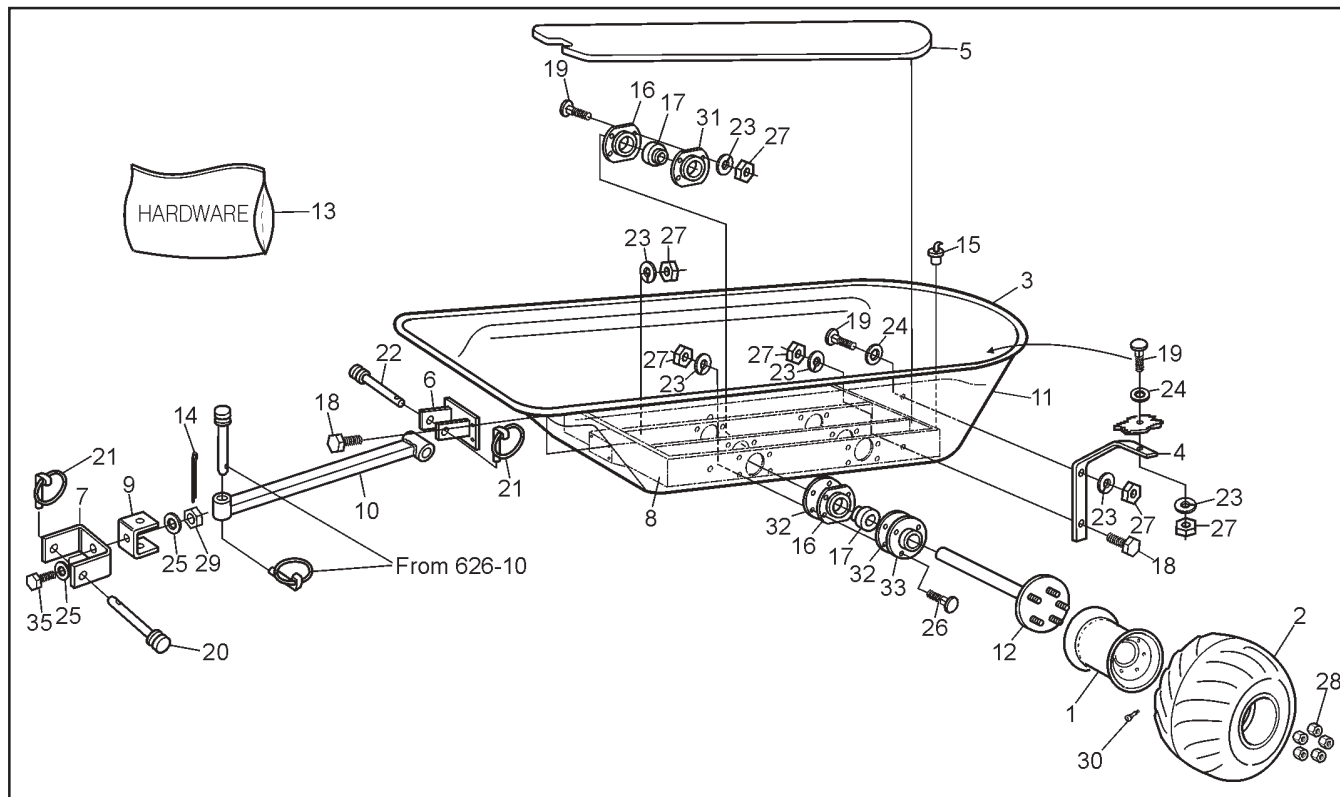
# 15.0 Accessories



Ref. No.	Qty.	Part #	Description	Shipping Weight and Dimensions
1	1	657-25	Boom Assembly, Lower	1 Box Hardware - 24 lbs. 10" x 10" x 7";
2	1	657-11	Blade Assembly	3 pcs. 27" x 2-1/2" x 1/2"; 31 lbs.
3	3	657-90	Knife	1 Piece 657-25 - 36" x 27" x 2"; 28 lbs.
4	1	657-27	Boom Assembly, Upper - Centaur	1 Piece 657-27 - 36" x 27" x 2"; 22 lbs.
5	1	<b>657-106HDW</b>	<b>Hardware kit consisting of the following:</b>	Blade 657-11 - 84 lbs.
6	10	103-21	HHCS, 1/2 -20 x 1-1/2" GR 5 Zn	
7	16	103-88	Carriage Bolt 3/8-16 x 1"	
8	4	108-15	Washer, .42x.81x.05 Zn	
9	6	108-26	Washer, .43x1.02x.09 Zn	
10	4	108-35	Washer, .53x1.06x.09 Zn	
11	2	108-53	Washer, .81x.5x.12 Zn	
12	1	112-13	HHCS, 3/4-10 x 5.5 GR 5 Zn	
13	3	112-80	Eye Bolt, Welded 3/8-16 Plated	
14	18	117-29	Locknut, Nylon 3/8"-16 Zn	
15	10	117-57	Locknut, Nylon 1/2"-20 Zn	
16	1	117-58	Locknut, Nylon 3/4"-10 Zn	
17	2	127-82	Spring, Extension - Painted	
18	4	657-54	Bushing	
19	2	657-59	Shoe	
20	2	657-105	Bracket, Centaur Snowplow	
21	2	117-15	Nut, Hex Fin 3/8 - 16 Zn	
22	1	657-16	Plate, Spring Stop	
23	2	103-25	PHMS, 10 - 24 x 3/4 Zn	
24	2	120-05	Washer, .19 x .50 x .04 Zn	
25	2	117-10	Locknut, Nylon 10 - 24 Zn	
26	1	657-15	Block, Adjustment Pin	
27	1	125-78	Spring, Comp. 0.66 x 1.92	

# 15.0 Accessories

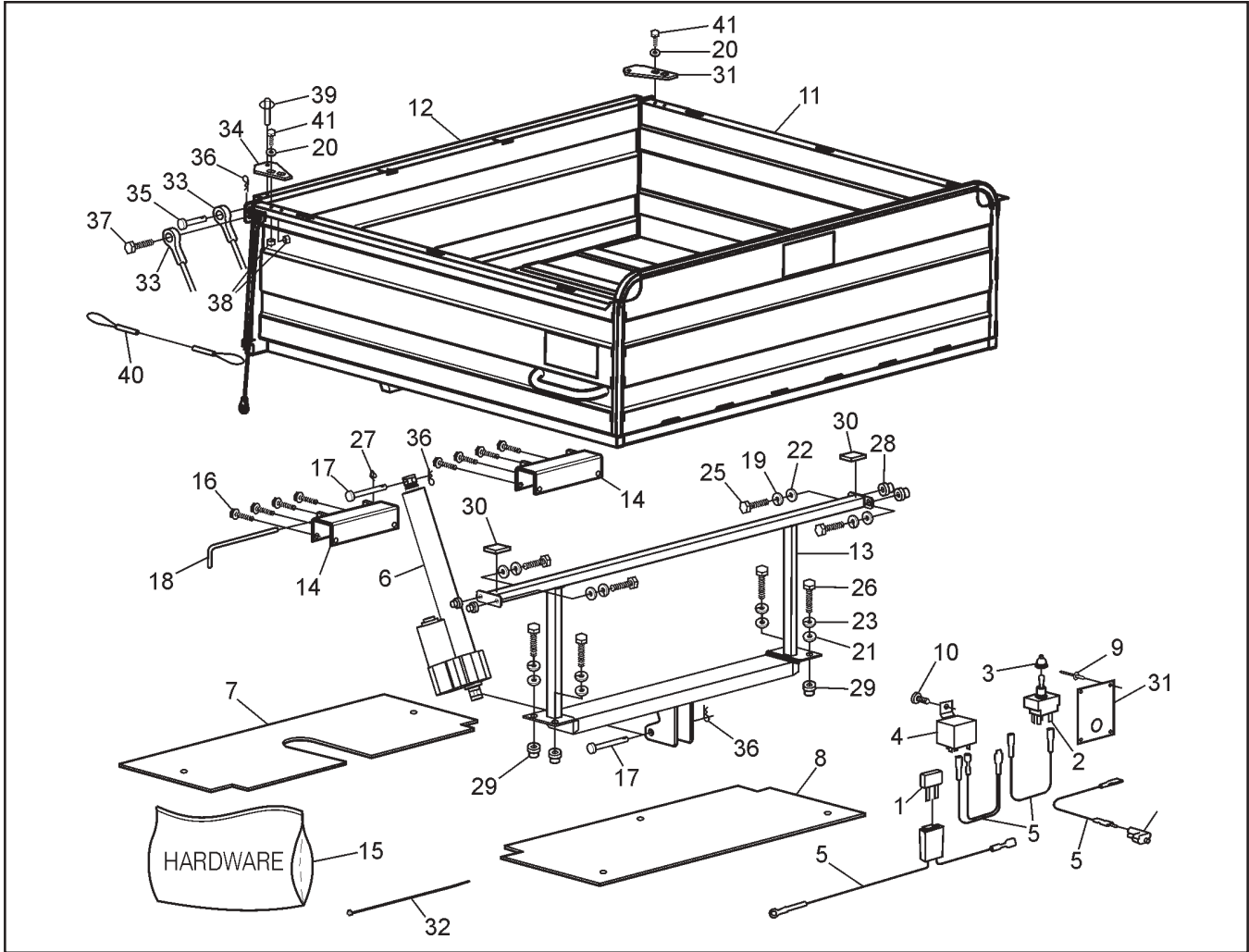
# 695-80BL Trailer Kit



Ref.	Qty.	Part #	Description	Ref.	Qty.	Part #	Description
1	4	127-61C	Rim - 10x9 - Charcoal	20	1	104-10	Pin, Toplink - 3/4 x 3.875
2	4	127-100SA	Tire, Rawhide III 25 x 11.50 x 9	21	2	104-11	Pin, Lynch - Ring
3	1	601-05	Rubber Bumper	22	1	104-13	Pin, Toplink - 3/4 x 2.75
4	4	695-16	Body Support	23	48	108-06	Lockwasher 3/8" Split Ring Zn
5	1	695-59	Floorboard, Trailer	24	8	108-35	Washer .53 x 1.06 x .09 Zn
6	1	695-63	Hitch ASM, Trailer	25	2	108-53	Washer .81 x 1.50 x .12 Zn
7	1	695-64	Bracket, Hitch	26	16	112-39	C/Bolt 3/8-16 x 1.75 Gr5 Zn
8	1	695-65	Frame ASM, Trailer	27	48	117-15	Nut, Fin Hex 3/8" -16 Zn
9	1	695-71	Bracket, Tongue	28	20	117-35	Nut, Wheel 7/16 - 20 Zn
10	1	695-74	Tongue ASM	29	1	117-37	Nut, Hex slotted 3/4-10 Zn
11	1	695-77BL	Body, Trailer Sub-Asm	30	4	125-26	Valve, Tire
12	4	810-58	Axle ASM, Trailer	31	8	605-63	Flange, Bearing - Outer
13	1	<b>695-75HDW</b>	<b>Hardware kit including:</b>	32	8	605-89	Gasket, Outer Bearing
14	1	100-01	Pin, Cotter 1/8 x 1.50 Zn				Flange
15	2	100-18	Plug, Drain 5/8" x 13/32"	33	4	605-97	Flange ASM, Outer
16	4	101-20	Flange ASM, Bearing	35	1	695-34	Bolt, Swivel
17	8	101-35	Bearing, Ball UC206A-20				
18	8	103-34	HHCS 3/8 - 16 x 1.25 Gr5 Zn				
19	24	103-88	C/Bolt 3/8-16 x 1.00 Gr5 Zn				
				<b>Shipping Weight and Dimensions</b>			
				1 Piece - 307 lbs.; 93" x 56" x 30"			

# 835-100 Dump Box Kit

# 15.0 Accessories



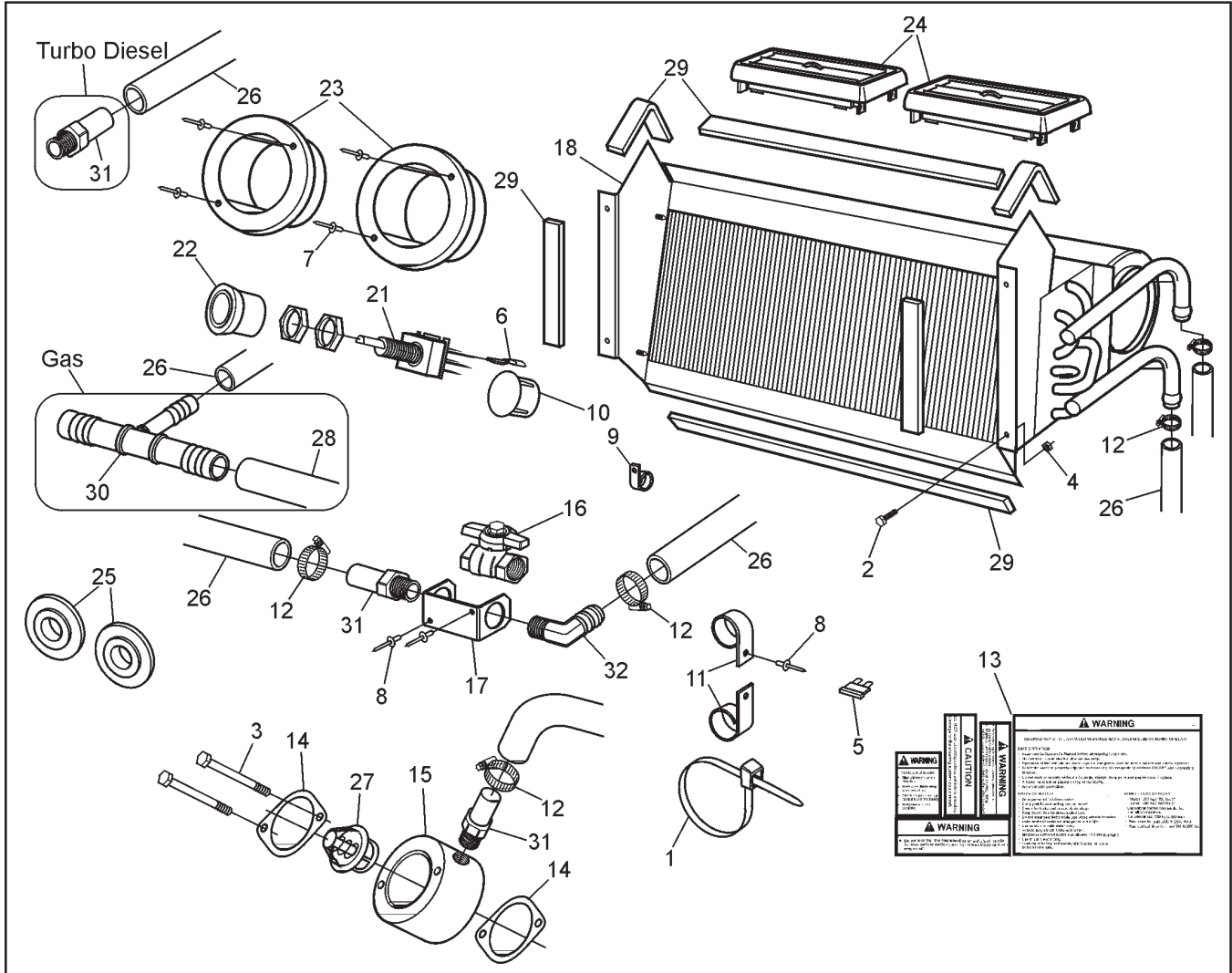
Ref.	Qty.	Part #	Description
1	1	613-83	Breaker, Circuit - 25 Amp
2	1	613-84	Switch, Toggle - 25 Amp-Reversing
3	1	613-85	Seal, Toggle Switch
4	1	613-86	Relay, 40 Amp
5	1	835-104	Wire Harness, Cent. Dump Box
6	1	835-105	Actuator, Electric-12" Stroke
7	1	835-106	Floor Plate, Centaur Dump Box
8	1	835-107	Floor Plate, Centaur Dump Box
9	4	120-24	Rivet, Alum - 3/32 x 3/8 Black
10	1	112-102	SHSS, Screw, Self-drilling, 12-24x3/4"
11	1	835-110	Dump Box, Centaur Welded Assy
12	1	835-130	Tail Gate Assy, Centaur Dump Box
13	1	835-140	Undercarriage, Centaur Dump Box
14	2	835-160	Hinge, Support Brkt - Centaur Dump Box
15	1	<b>835-100HDW</b>	<b>Hardware kit consisting of the following:</b>
16	8	103-72	Screw, IHWH T/C Slot 1/4-20x3/4
17	2	104-31	Pin, Clevis, 1/2" x 2-3/4"
18	2	104-32	Pin, Pull
19	4	108-06	Lockwasher 3/8 Split-Ring Zn
20	12	108-08	Washer .28x.62x.04 Zn
21	4	108-15	Washer .42x.81x.06 Zn
22	4	108-24	Washer .34x.70x.06 Zn

Ref.	Qty.	Part #	Description
23	4	108-67	Lockwasher M10 Split Ring Zn
25	4	112-20	HHCS M8x1,25x25mm Zn
26	4	112-93	HHCS M10x1,5x25mm Zn
27	2	113-10	Ring, Cotter 3/8" Shaft
28	4	117-69	Insert, M8x1.25-13.5mm OD
29	4	117-70	Insert, M10x1.5-13.5mm OD
30	4	702-06	Cushion, Foam
31	1	835-03	Label, Switch - Dump box
32	2	100-102	Tie-Wrap 14"
33	2	835-122	Cable, Dumpbox Tailgate
34	2	835-123	Bracket, Adjustment - Dump Box
35	2	104-25	Pin, Clevis 3/8x3/4 Zn
36	2	100-16	Clip, Hitch Pin 1.625 Zn
37	2	112-14	HHCS 3/8-16x3/4 GR5 Zn
38	2	117-29	Locknut, Nylon 3/8-16 Zn
39	2	104-38	Pin, Hitch 5/16"x1.2"
40	2	104-37	Lanyard, Nylon
41	4	112-04	HHCS 1/4-20x3/4 GR2 Zn
42	4	117-27	Locknut, Nylon 1/4-20 Zn

**Shipping Weight and Dimensions**  
 1 Piece - 220 lbs.; 61" x 47" x 18"

# 15.0 Accessories

# 848-110 Heater Kit



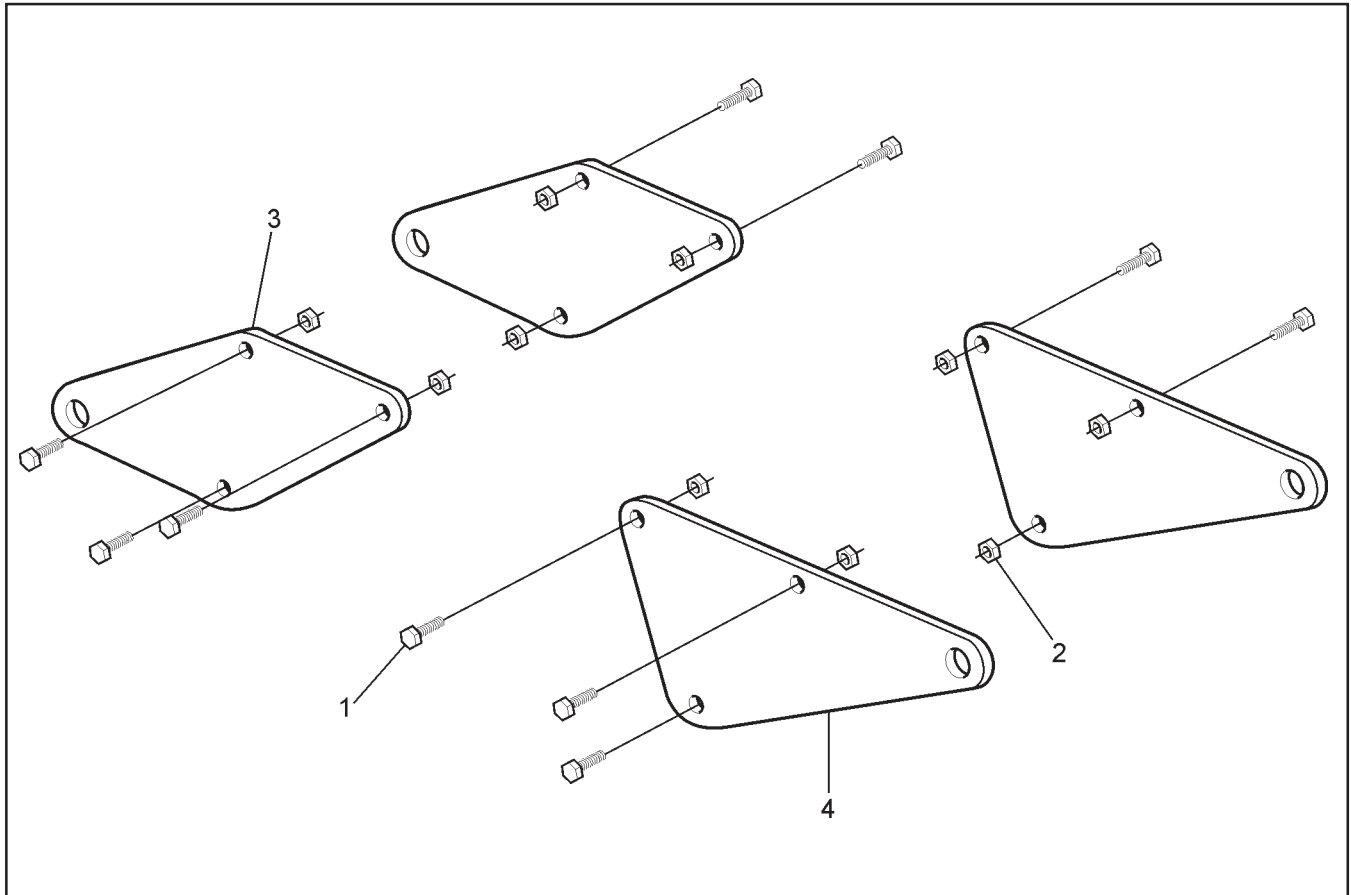
Ref.	Qty.	Part #	Description
1	3	100-102	Tie Wrap - 14" White - 50lb.
2	5	103-25	PHMS 10-24x3/4 Zn
3	2	112-114	HHCS, M6X1X60mm Zn
4	5	117-10	Locknut, Nylon #10-24 Zn
5	1	118-49	15 Amp Fuse
6	4	118-64	Terminal, Female 1/4" 22-18 Insulated
7	4	120-11	Rivet - 5/32 x 9/16" Black
8	3	120-13	Rivet - 3/16 x 5/8 Black
9	1	126-93	Clamp, Nylon Wire 1/2" ID
10	1	127-111	Plug, Black Nylon - 7/8" ID
11	2	127-24	Clamp, Nylon - 1" ID
12	6	638-16	Clamp, Gear 5/8" HF-10
13	1	801-138	Labels, Warning - Centaur
14	2	820093	Gasket, Outlet
15	1	848-111	Adapter, Centaur Heater
16	1	848-113	Valve, Shut Off
17	1	848-114	Bracket, Shut Off Valve
18	1	848-115	Heater Coil & Blower Asm - Centaur Consists of:

Ref.	Qty.	Part #	Description
19	1	876011A	Coil
20	1	810062A	Blower
21	1	1150	Switch
22	1	1276	Knob
23	2	830046A	Louver, Round, 3"
24	2	1710	Louver, Rectangular, 1-3/4"x5"
25	2	28-0005	Grommet
26	20ft	840005	Hose
27	1	848-116	Thermostat - 195°F
28	1	848-117	Hose, Rad Extension - 8"
29	1	848-118	Vinyl Strip 1/2" x 1/4" x 4"
30	1	848-20	Tee, Hose (gas & diesel models only)
31	3	848-25	Barb, Beaded Hose - 3/8 NPT
32	1	848-31	Barb, Beaded Hose 90° Elbow-NPT

**Shipping Weight and Dimensions**  
 1 Box - 20 lbs.; 29" x 11" x 10"

# 848-121 Four Point Lift Kit

# 15.0 Accessories



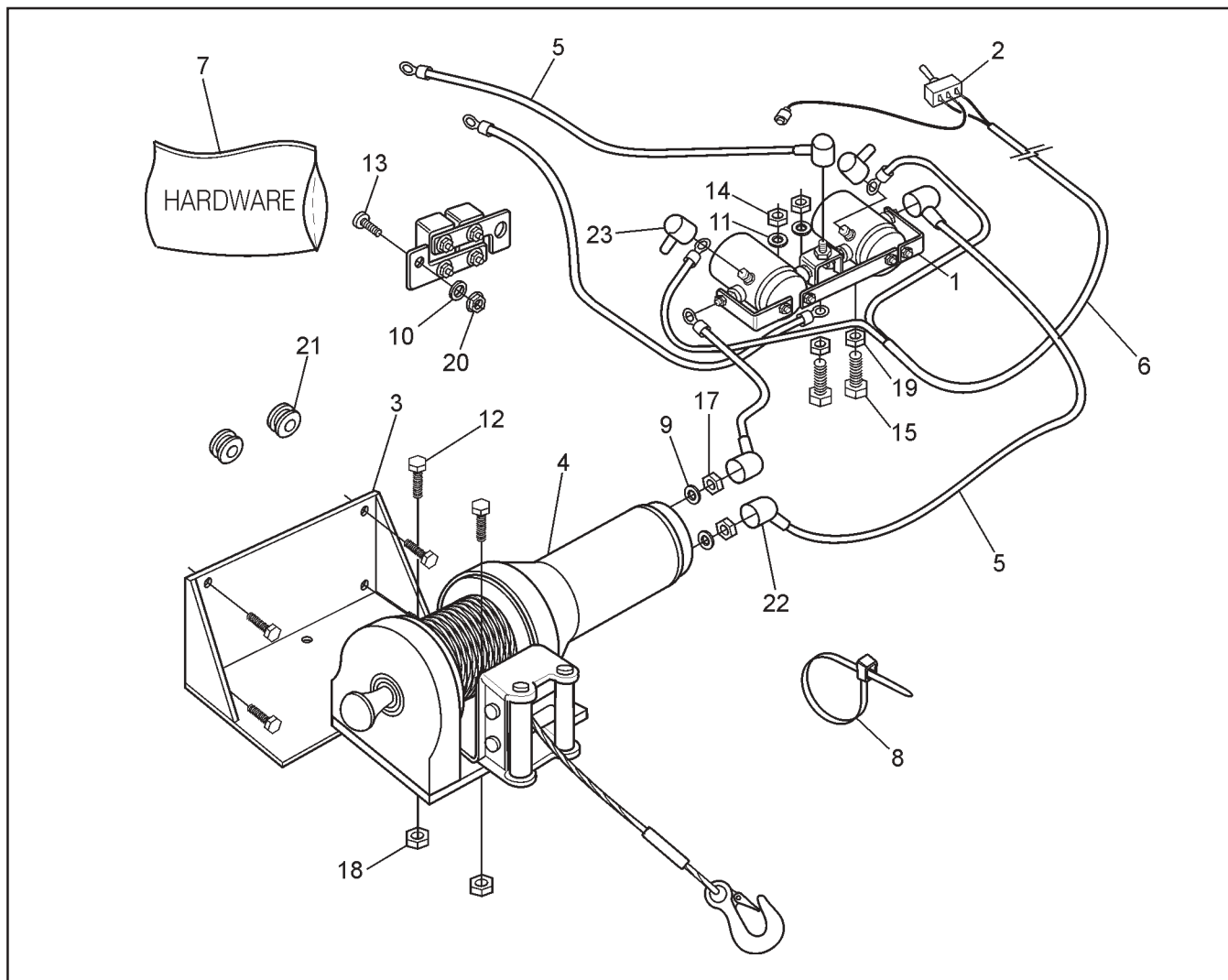
Ref. No.	Qty.	Part #	Description
1	12	103-21	HHCS, 1/2-20 x 1-1/4"
2	12	117-57	Locknut, Nylon 1/2" - 20 Zn
3	2	848-119	Plate, Rear Lift - Centaur
4	2	848-120	Plate, Front Lift - Centaur

### Shipping Weight and Dimensions

1 Box - 14 lbs.; 10" x 10" x 6"

# 15.0 Accessories

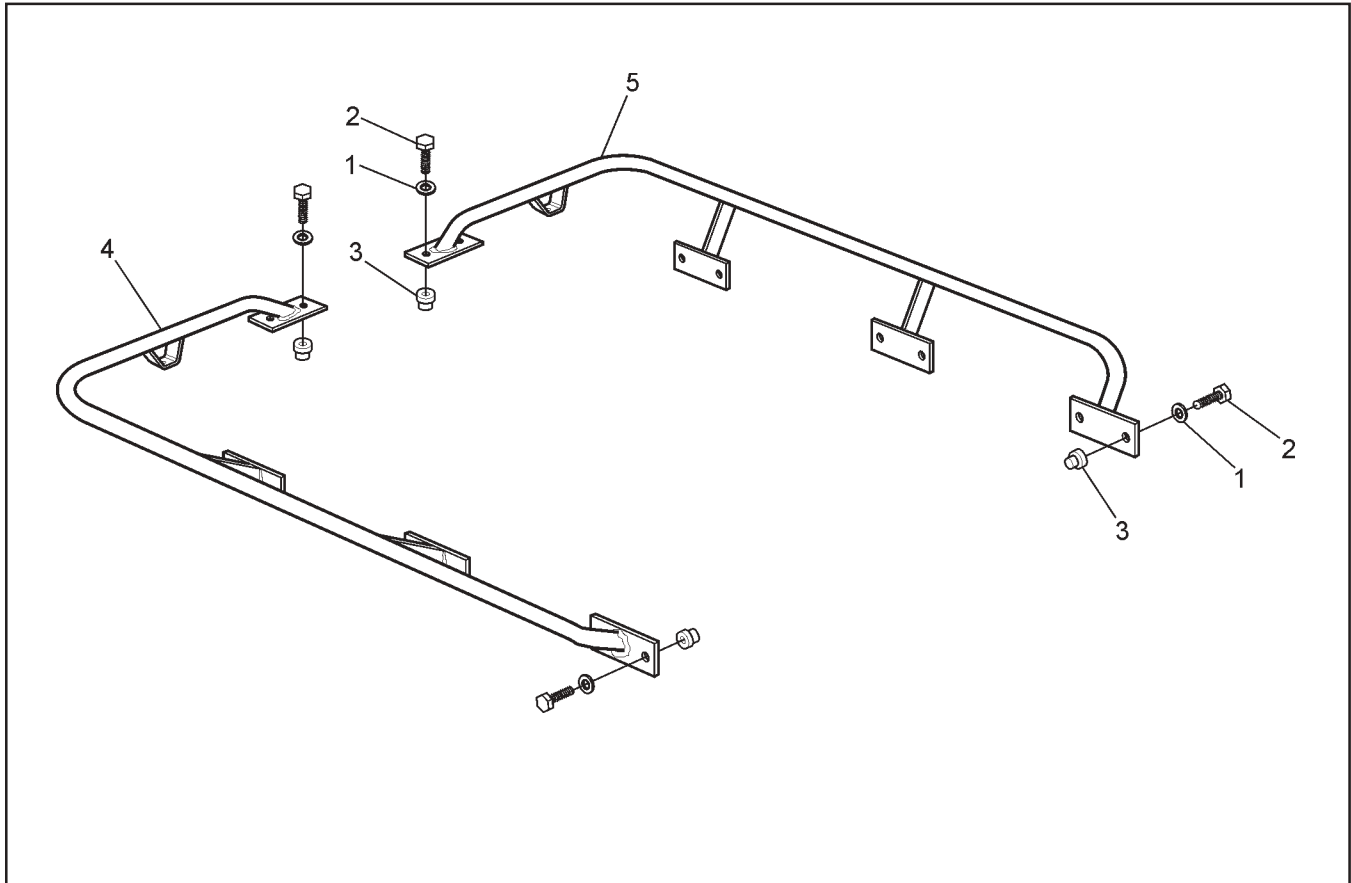
# 849-114 Winch Kit



Ref.	Qty.	Part #	Description	Ref.	Qty.	Part #	Description
1	1	622-37	Solenoid, ASM Reversing	15	2	112-118	HHCS M6x1x16mm Zn
2	1	622-44	Switch, Toggle	17	2	117-20	Nut, Fin Hex 1/4-20 Zn
3	1	801-108	Bracket, Winch	18	2	117-60	Locknut, Nyloc M10x1.5mm Zn
4	1	849-109	Winch, Super Winch X3	19	2	117-63	Nut, Hex M6x1,0 Zn
5	1	849-111	Wire Harness, Winch to Battery	20	1	117-77	Locknut, Nylon - M8x1, 25mm Zn
6	1	849-113	Wire Harness, Winch Control	21	2	125-84	Grommet, Rubber
7	1	<b>849-114HDW</b>	<b>Hardware Kit Comprised of:</b>	22	5	613-45	Terminal, Insulator, 6 ga.
8	5	100-64	Tie Wrap 5-1/2" long Black	23	2	613-78	Terminal, Insulator
9	2	108-03	Lockwasher 1/4 Split-ring Zn	<b>Shipping Weight and Dimensions</b> 1 Box - 47 lbs.; 19" x 11" x 13"			
10	2	108-05	Lockwasher 5/16 Split-ring Zn				
11	2	108-08	Washer .28x.62 x .04 Zn				
12	2	112-92	HHCS M10x1,5x40mm Zn				
13	1	112-111	HHCS M8x1,25x20 (8.8) Zn				
14	2	112-115	Locknut, Nylon M6x1 Zn				

# 849-116 Tie Down Kit

# 15.0 Accessories



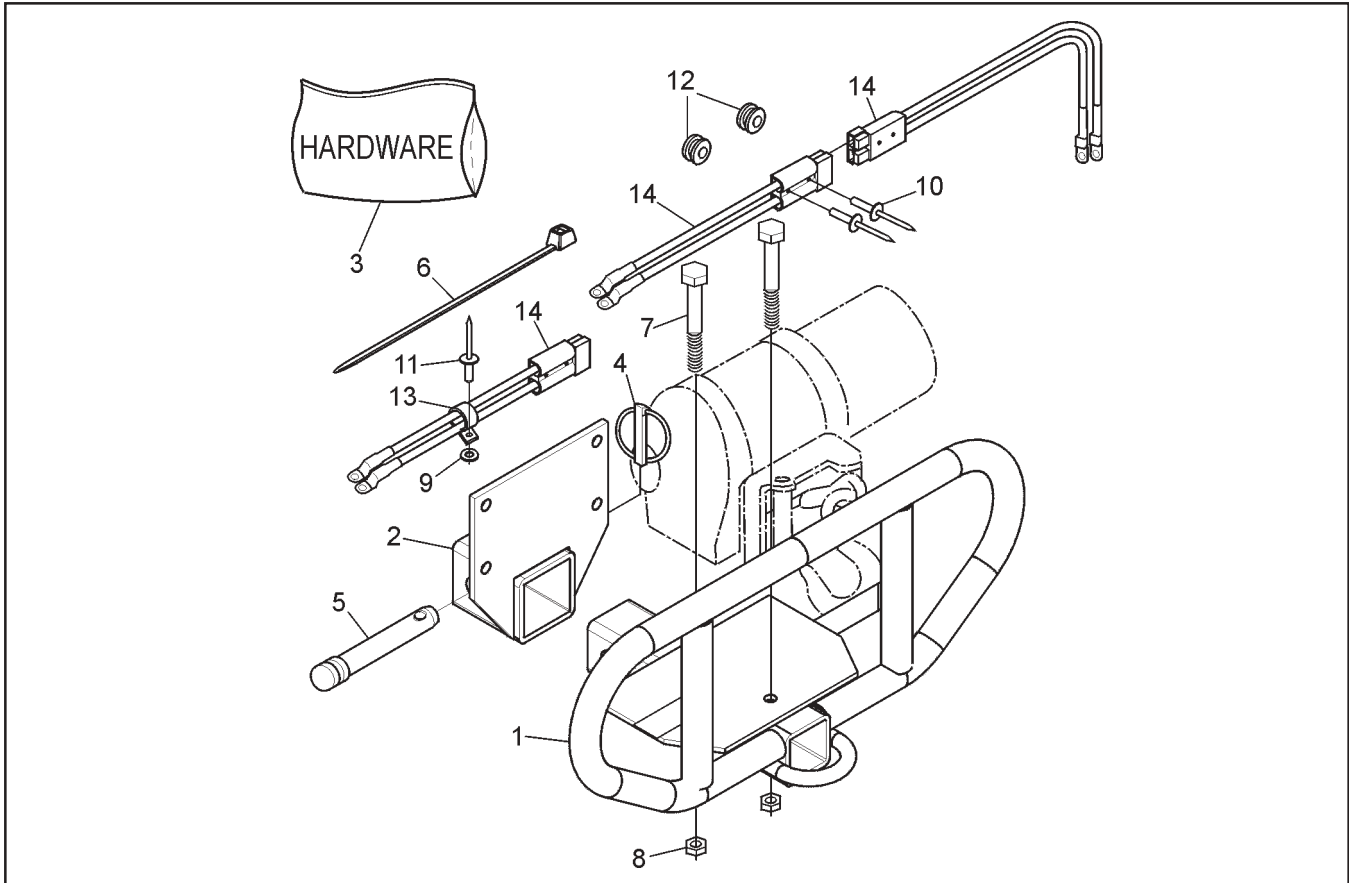
Ref. No.	Qty.	Part #	Description
1	18	108-08	Washer, 0.26x.62x.04"
2	18	112-97	HHCS, M6x1,0x25mm Zn
3	18	117-79	Insert, M6x1,0-10mm OD
4	1	849-117	Tube Assembly - L
5	1	849-118	Tube Assembly - R

### Shipping Weight and Dimensions

2 Pieces - 10 lbs.; 49" x 26" x 5"

# 15.0 Accessories

# 849-123 Receiver Winch Bracket Kit



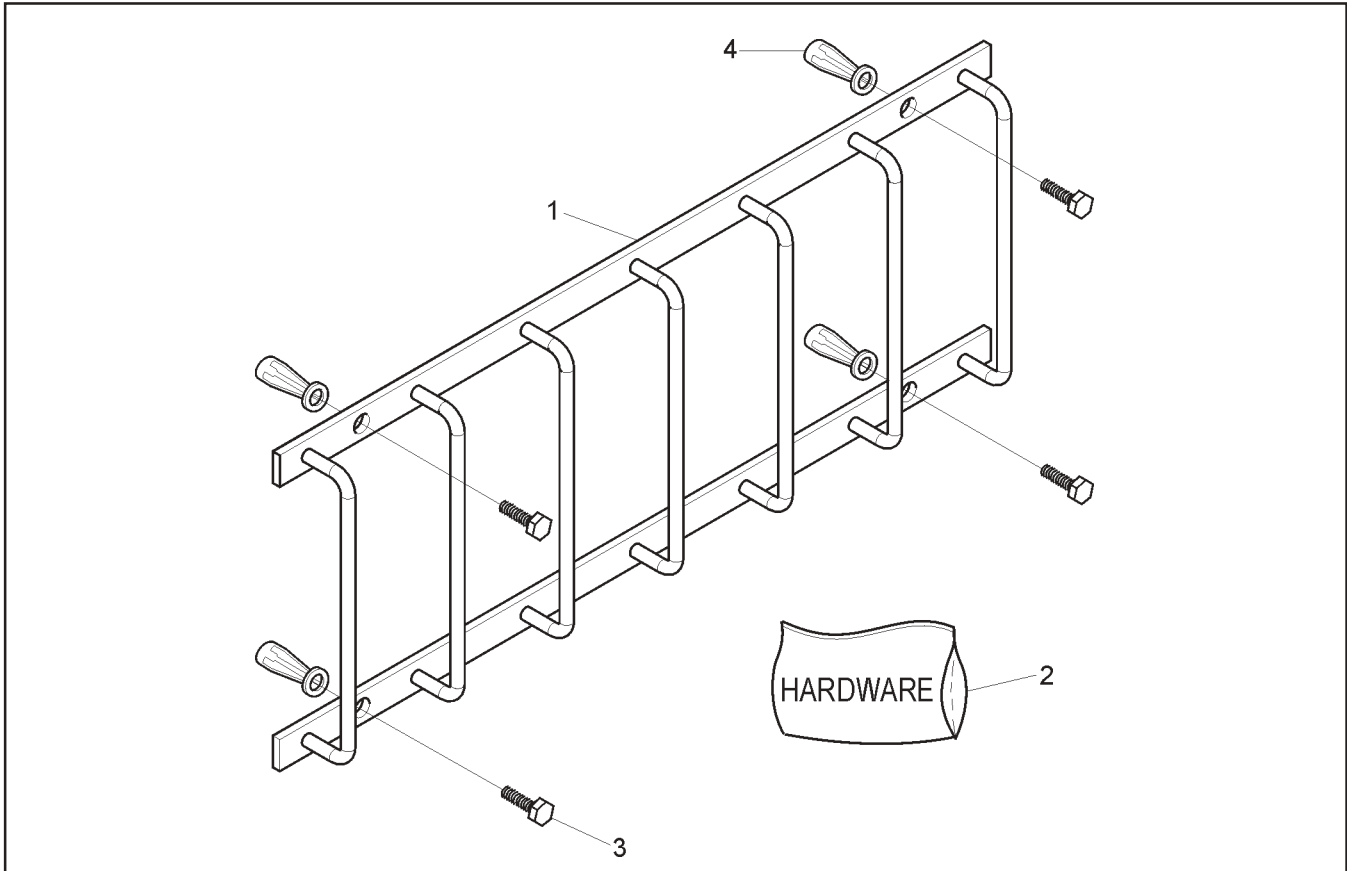
Ref. No.	Qty.	Part #	Description
1	1	849-124	Winch Guard Weldment
2	1	849-130	Hitch Front
3	1	<b>849-123HDW</b>	<b>Hardware kit consisting of:</b>
4	1	104-11	Pin Lynch - Ring
5	1	104-13	Pin, Toplink - 3/4 x 2.75
6	6	100-102	Tie Wrap - 14" - white-50lbs
7	2	112-120	HHCS, M10 x 1.5 x 80mm Zn
8	2	117-60	Locknut, Nyloc M10 x 1.5mm Zn
9	2	120-04	Washer .195ID x 50OD x .080
10	4	120-09	Rivet - 3/16 x 1.0 Black
11	2	120-13	Rivet - 3/16 x 5/8 Black
12	2	125-84	Grommet, Rubber
13	3	126-93	Clamp, Nylon Wire - 1/2" id.
14	1	849-133	Wire Harness

### Shipping Weight and Dimensions

1 Box - 18 lbs.; 21" x 10" x 10"

# 849-134 Light Guard Kit

# 15.0 Accessories



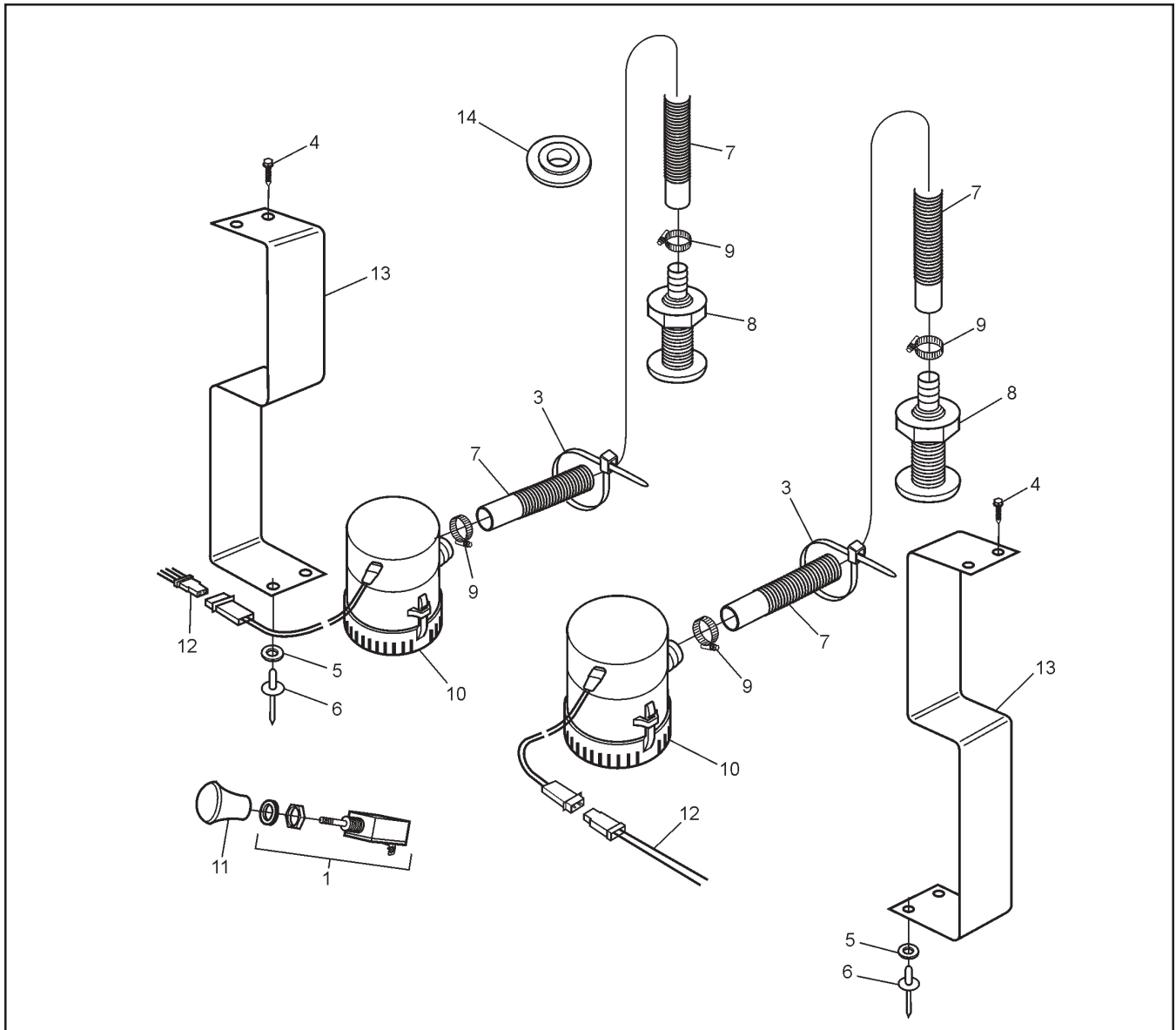
Ref. No.	Qty.	Part #	Description
1	2	849-135	Light Guard Weldment - Centaur
2	1	<b>849-134HDW</b>	<b>Hardware kit consisting of:</b>
3	8	103-08	HHCS 1/4-20 x 1.0 Zn
4	8	117-53	Nut, Jack 1/4-20 8L JNS Zn

### Shipping Weight and Dimensions

2 Pcs. - 12 lbs.; 13" x 5" x 1"

# 15.0 Accessories

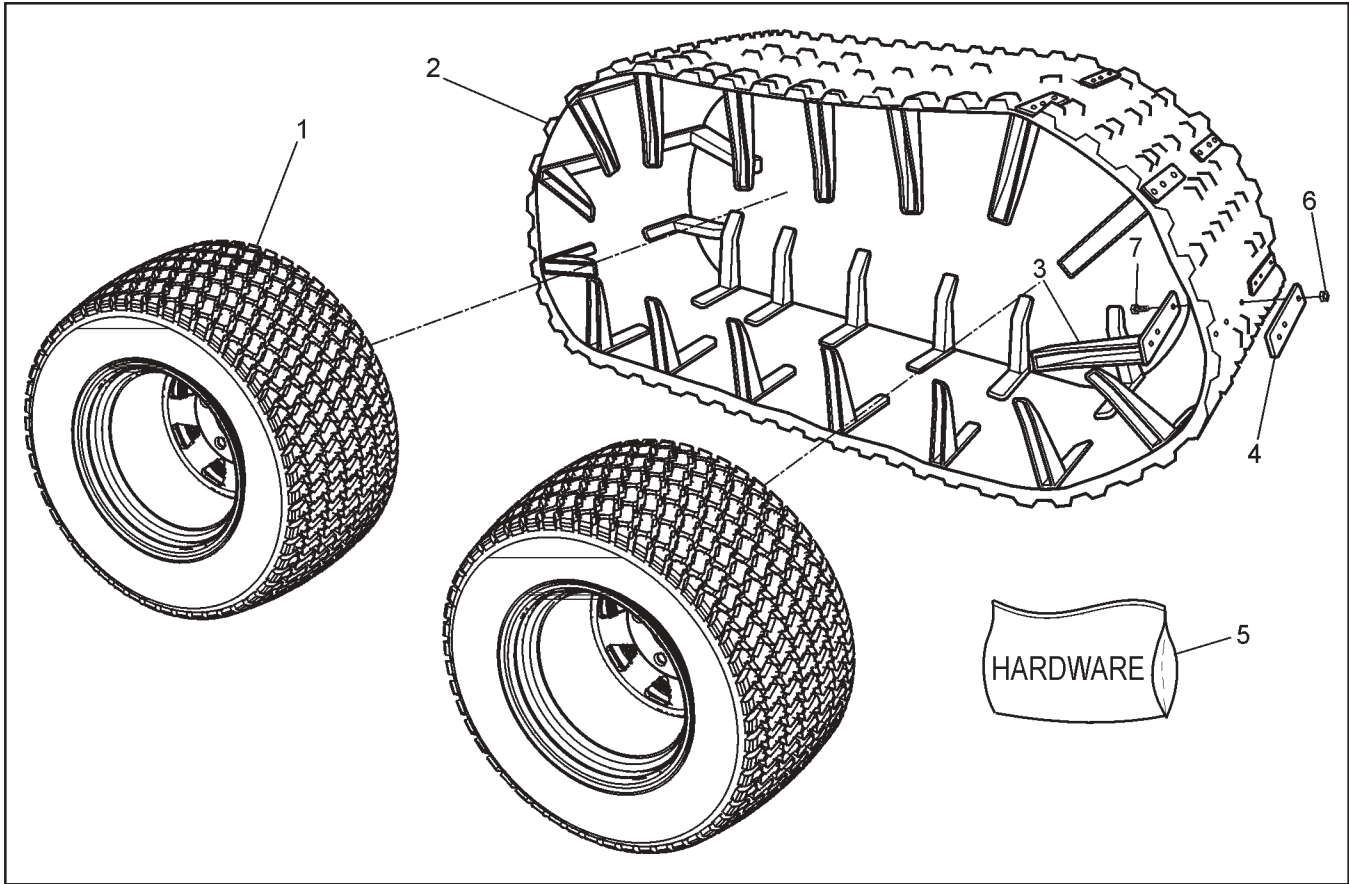
# 849-146 Bilge Pump Kit



Ref. No.	Qty.	Part #	Description	Shipping Weight and Dimensions
1	1	100-62	Switch, Light	1 Box - 5 lbs.; 10" x 10" x 6"
2	15	100-64	Tie Wrap - 5.5" - Black	
3	4	100-102	Tie Wrap - 14" - White	
4	6	112-102	Screw, self drilling - 12-14 x 3/4"	
5	4	120-04	Washer, 3/16"	
6	4	120-13	Rivet, 3/16" x 5/8"	
7	2	638-05	Flex Hose, 3/4" x 3'	
8	2	638-08	Hull Fitting, 3/4"	
9	4	638-16	Gear Clamp	
10	2	638-18	Bilge Pump & wire ASM.	
11	1	638-26	Knob, Switch - Bilge pump Black	
12	1	849-145	Wire Harness	
13	2	849-144	Bracket, Bilge Pump	
14	1	28-0005	Grommet	

# 849-150 All Season Track Kit

# 15.0 Accessories



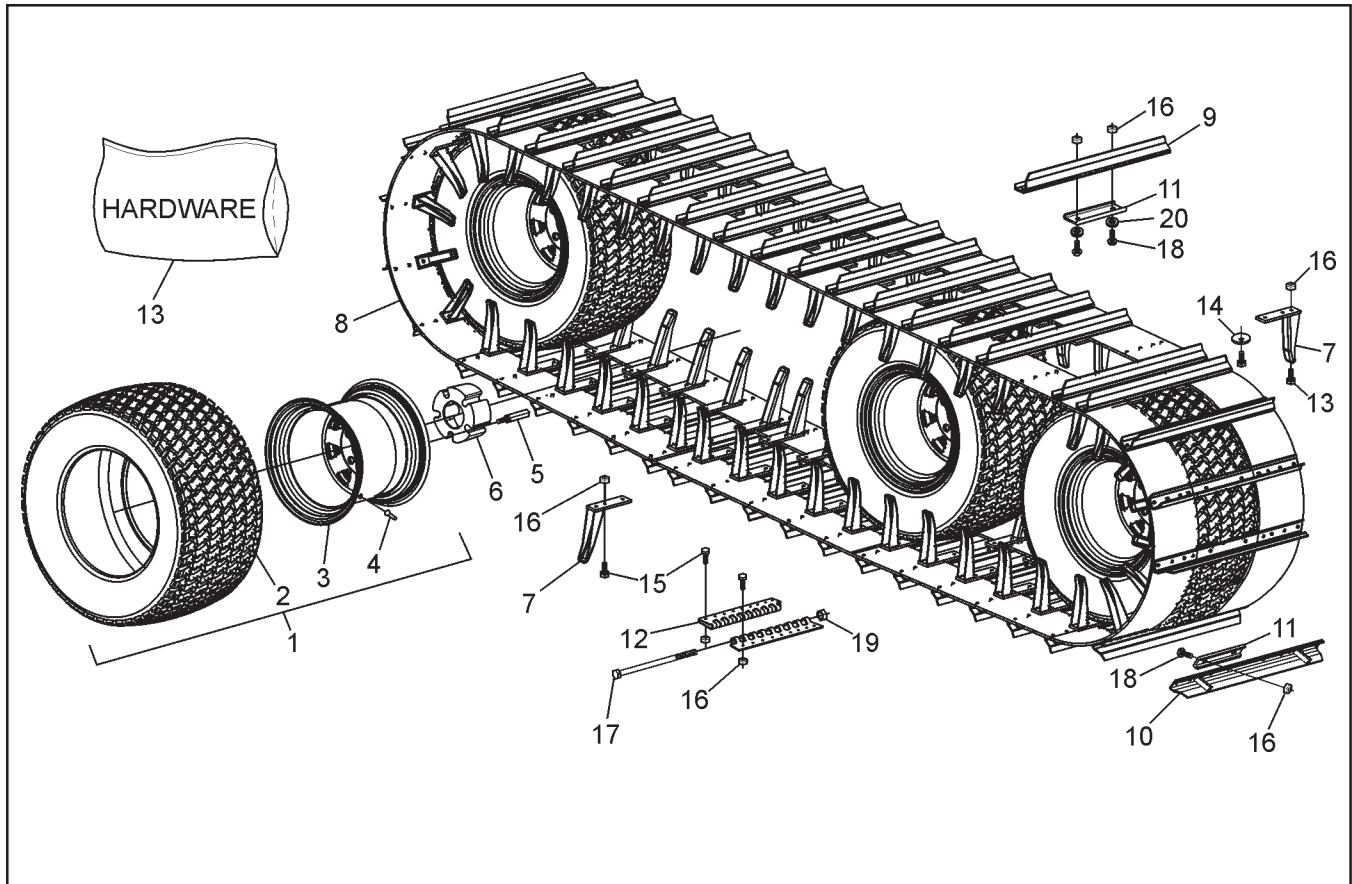
Ref. No.	Qty.	Part #	Description
1	8	127-115	Tire & Rim ASM - Multi Trac XT
2	4	849-151	Track, Rubber - Centaur Mud
3	140	849-153	Guide ASM - Tracks - Cent- Welded
4	140	849-156	Plate - Backing, Tracks-Cent
5	1	<b>849-150HDW</b>	<b>Hardware Kit, All Season Tracks Consists of:</b>
6	450	112-115	Locknut, Nylon M6X1 Zn
7	450	112-97	HHCS, M6 x 1 x 25mm Zn

### Shipping Weight and Dimensions

2 Boxes with all parts - 897 lbs.; 43" x 34" x 40"

# 15.0 Accessories

# 849-160 Snow Track Kit



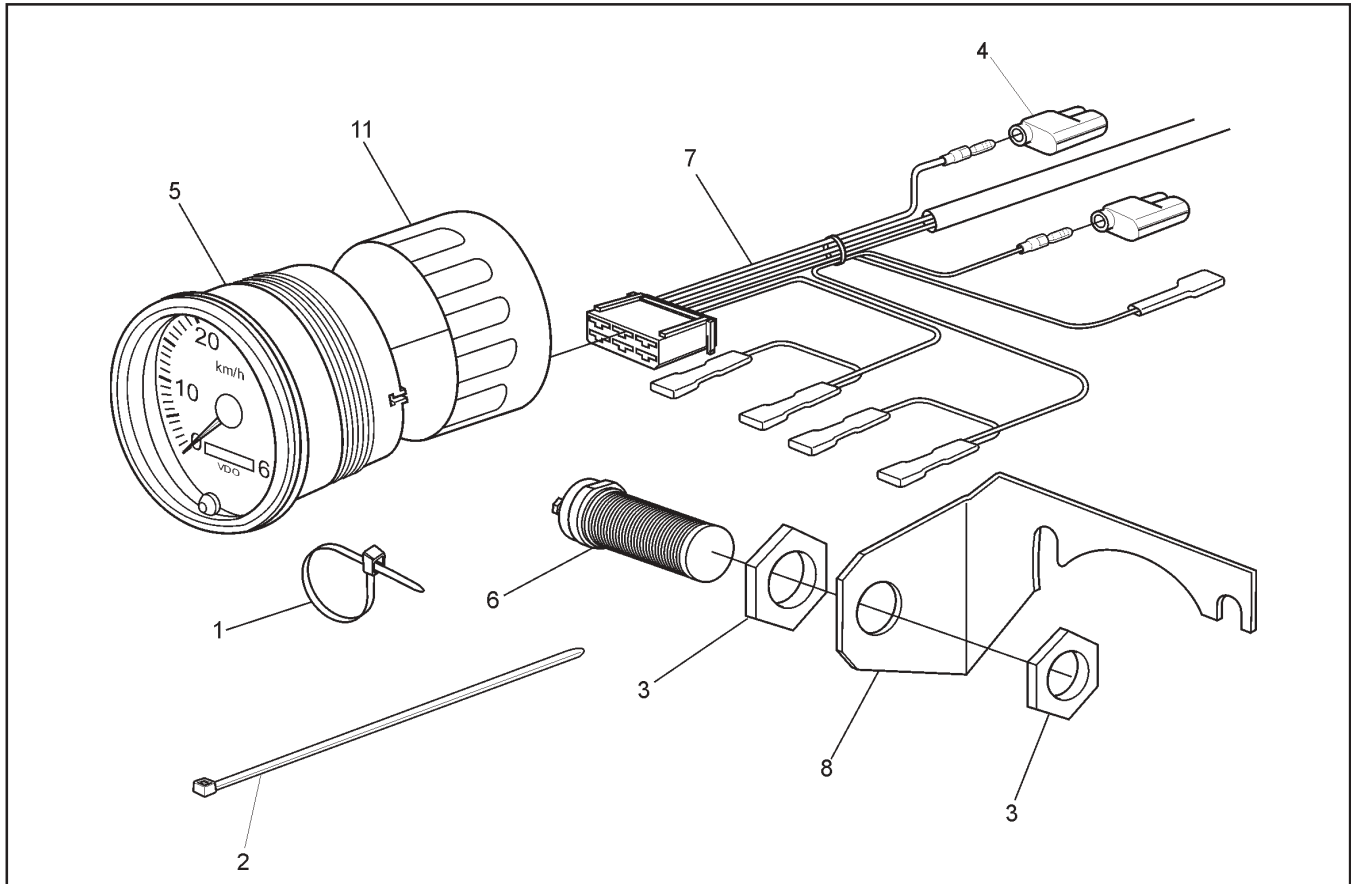
Ref. No.	Qty.	Part #	Description
1	8	127-115	Tire 7 Rim ASM- Multi Trac XT (includes 2,3 & 4)
2		127-114	Tire, Multi-Trac XT 24 x 12-12
3		127-113	Rim, 12 x 9.5 x 2.25 Offset - Black
4		125-26	Valve, Tire
5	40	127-103	Extension Stud, M12 x 1,25 Zn
6	8	605-77	Extension, Axle
7	196	849-158	Guide Asy – Tracks –Centaur -Welded
8	2	849-161	Belt, Centaur Snow Track 2-Per
9	45	849-162	Grouser, Snow Track
10	45	849-167	Grouser Asy, Snow Track
11	100	849-163	Lug, Traction
12	8	849-164	Hinge, Track Lacing
13	1	<b>849-160HDW</b>	<b>Hardware Kit Comprised of:</b>
14	380	108-73	Washer, Concave .27 x 1.12 x .07 Zn
15	810	112-97	HHCS, M6 x 1 x 25mm Zn
16	1000	112-115	Locknut, Nylon M6 x 1 Zn
17	4	112-138	HHCS 3/8-16 x 7.00 Gr 5 Zn
18	190	112-140	BHCS M6 x 1 x 25 Zn
19	4	117-29	Locknut, Nylon 3/8-16 Zn
20	190	108-08	Washer .28 x .62 x .07 Zn

### Shipping Weight and Dimensions

2 Boxes with all parts - 738 lbs.; 43" x 34" x 40"

# 849-165 Speedometer Kit

# 15.0 Accessories



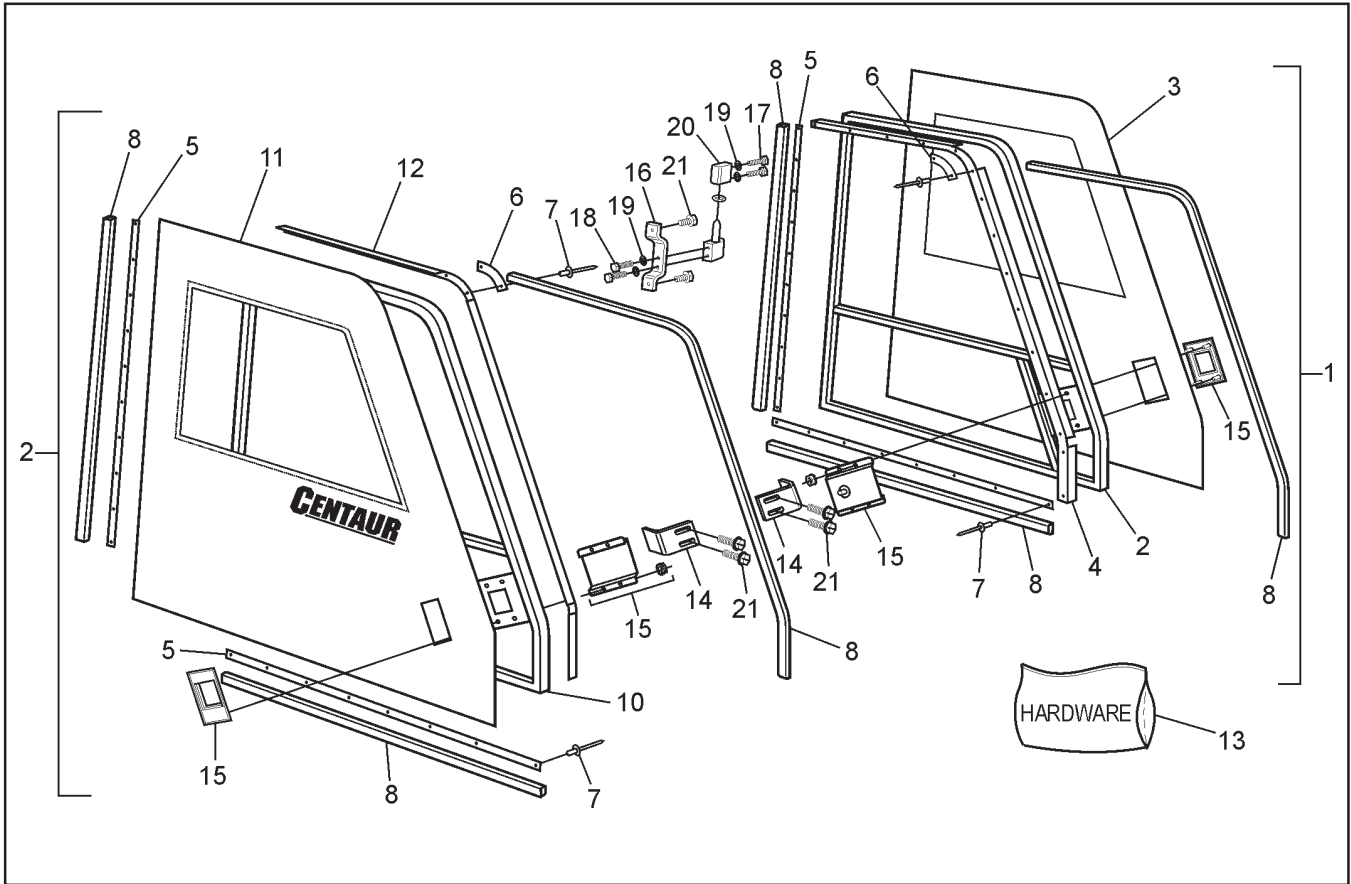
Ref. No.	Qty.	Part #	Description
1	3	100-64	Tie Wrap (Short)
2	2	100-102	Tie Wrap (Long)
3	1	117-80	Nut, Pal 3/4-16
4	2	118-04	Connector, T-Tap
5	1	119-100	Speedometer
6	1	119-101	Speed Sender Unit, Speedometer
7	1	613-104	Wire Harness, Speedometer - Centaur
8	1	849-166	Bracket, Speed Sender Unit
9	1	613-46	Terminal Insulator (2ga)
10	6"	127-124RM	Tubing, Convoluted - 3/8" ID
11	1	119-108	Collar, Gauge Mounting Ring

### Shipping Weight and Dimensions

1 Box - 2 lbs.; 10" x 10" x 7"

# 15.0 Accessories

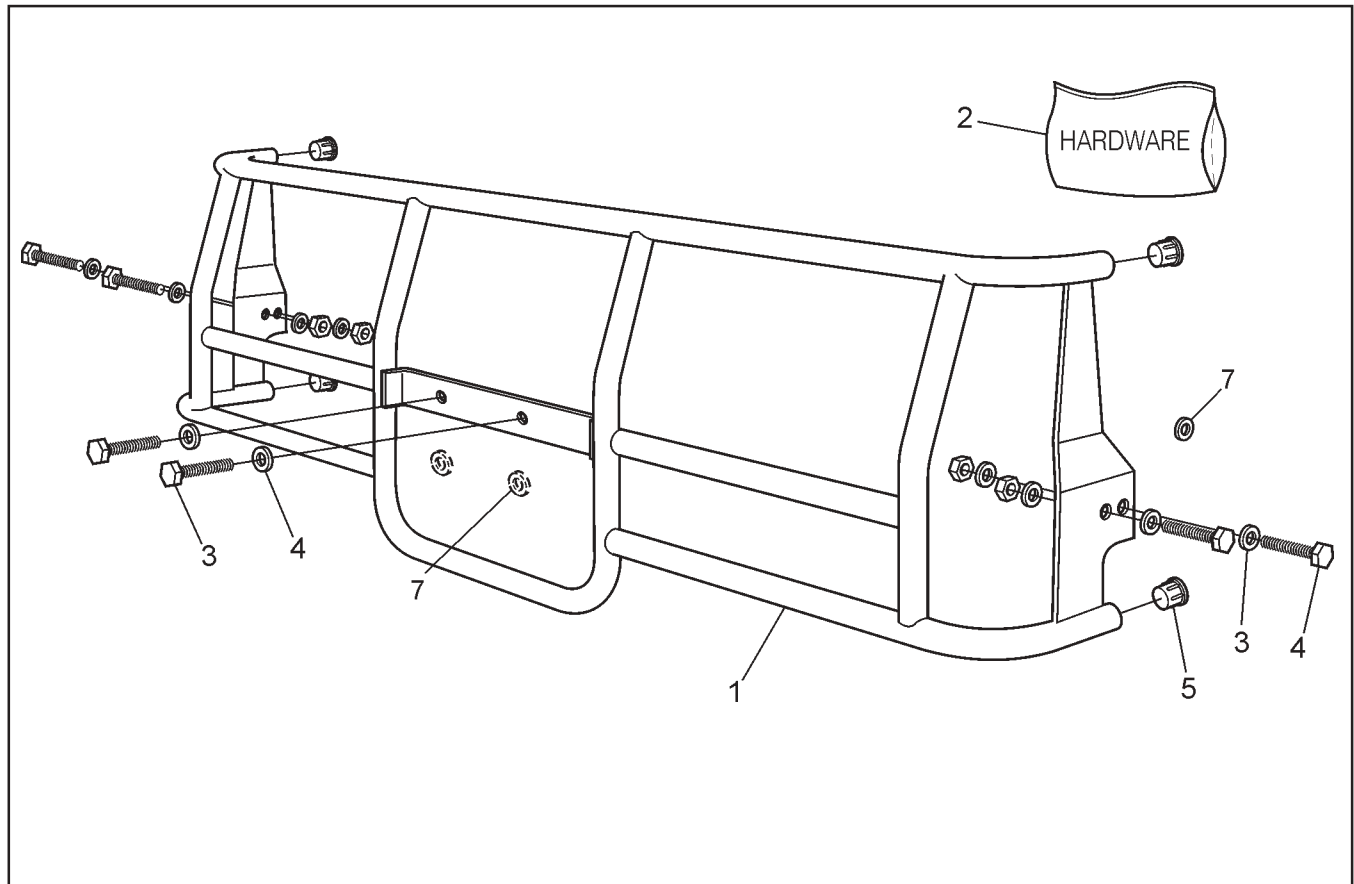
# 849-190 Fabric Door Kit



Ref. No.	Qty.	Part #	Description	Shipping Weight and Dimensions
1	1	849-170	Door Asm, Centaur - Left (includes Refs. 2-8)	2 Pcs. - 38 lbs.; 42" x 42" x 2"
2	1	849-178	Frame Asm, Centaur - Left	
3	1	849-172	Fabric, Door - Left	
4	1	849-187	Angle, Fabric Mounting - Left	
5	4	849-188	Flat Bar, Fabric Mounting	
6	1	849-189	Bracket, Corner - Centaur Door	
7	39	120-13	Rivet, 3/16 x 5/8 Black	
8		849-176RM	Weatherseal, D-Strip	
9	1	849-171	Door Asm, Centaur - Right (includes Refs. 5-8, 10-12)	
10	1	849-179	Frame Asm, Centaur - Right	
11	1	849-173	Fabric, Door - Right	
12	1	849-180	Angle, Fabric Mounting - Right	
13	2	<b>849-190HDW</b>	<b>Hardware, Fabric Door - Centaur Consists of:</b>	
14	2	849-175	Plate, Door Catch	
15	2	849-174	Latch, Door - Centaur	
16	4	849-181	Bracket, Door Hinge Mounting	
17	8	112-135	HHCS, M5 x 0.8 x 25mm Zn	
18	8	112-95	HHCS, M5 x 0.8 x 10mm Zn	
19	16	108-11	3/16 Split Ring Lockwasher Zn	
20	4	127-116	Hinge, Metal Lift-off	
21	12	112-19	Screw, IHWH T/C Slot 1/4-20 x 1/2	

# 849-191 Brush Guard Kit

# 15.0 Accessories



Ref. No.	Qty.	Part #	Description
1	1	849-192	Brush Guard Weldment - Centaur
2	1	849-191HDW	Hardware Kit comprised of:
3	6	112-133	HHCS M10x1,5 x 35mm Zn - 8.8
4	10	108-15	Washer .42 x .81 x .05 Zn
5	4	127-155	Plug, Black Plastic
6	4	117-60	Locknut, Nyloc M10 x 1.5mm Zn 8
7	6	108-47	Washer .39 x .94 x .13 Zn Di-Chro

### Shipping Weight and Dimensions

1 Piece - 12 lbs.; 54" x 12" x 7"



Centaur Products Manufactured by:

**Ontario Drive & Gear Limited**

220 Bergey Court

New Hamburg, Ontario

CANADA N3A 2J5

[www.centaur8x8.ca](http://www.centaur8x8.ca)

**ODG** Dedicated to quality and performance.

Distributed By:

